

## Cavitron® Products

DualSelect™-Dispensing System  
Directions for Use

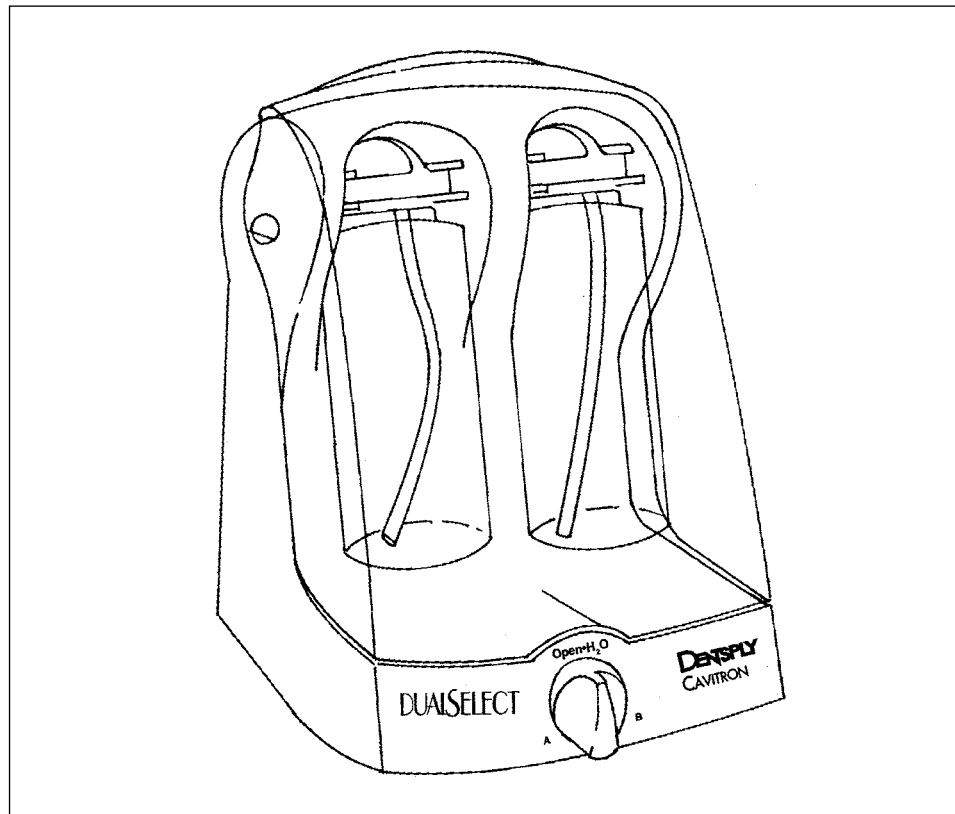
Dispositif de distribution DualSelect™  
Mode d'emploi

DualSelect™- Strahlabgabegerät  
Gebrauchsanweisung

Sistema de suministro DualSelect™  
Instrucciones para uso

Sistema di erogazione DualSelect™  
Istruzioni per l'uso

Распределительная система DualSelect™  
Указания по применению



***Please read carefully and completely before operating unit.***

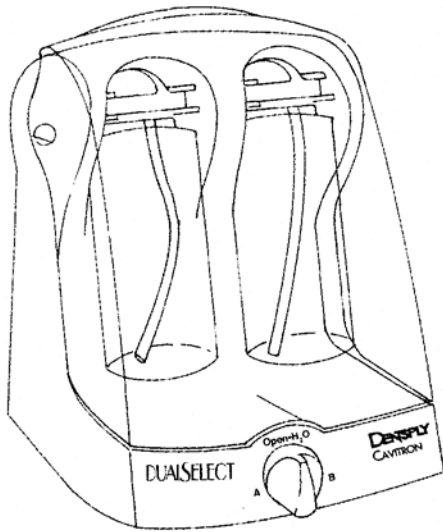
***Veillez lire la notice complètement et soigneusement avant d'utiliser ce système.***

***Por favor lea la totalidad de las instrucciones con cuidado antes de usar la unidad.***

***Bitte vor Inbetriebnahme des Geräts sorgfältig und vollständig durchlesen.***

***Leggere attentamente tutte le istruzioni prima di utilizzare l'unità.***

***Прочтите внимательно все указания перед началом работы с устройством.***



**ENGLISH**

# **Cavitron® DualSelect™ Dispensing System**

## **Directions For Use**

*Please read carefully and completely  
before operating unit.*

---

## **Introduction**

---

### **Cavitron® DualSelect™ Dispensing System**

Congratulations. Your purchase of the Cavitron® DualSelect™ Dispensing System represents a wise investment.

The DualSelect™ Dispensing System is designed to provide various medicaments and/or clean water through Cavitron® ultrasonic scalers, Cavitron® JET Systems and PROPHY-JET® Systems. The DualSelect™ System allows operator selection from either two internal bottles or an external dental office water line as a fluid delivery source. In addition, the DualSelect™ Dispensing System can assist you in complying with CDC (Centers for Disease Control and Prevention) and ADA (American Dental Association) guidelines by offering a closed line option and dispensing clean water.

Your DualSelect™ Dispensing System is UL (Underwriters Laboratories) listed.

### **Technical Support**

There are no serviceable parts in this device. Refer all service to a qualified service repair facility. For technical support and repair assistance in the U.S., call Cavitron Care<sup>SM</sup> at 1-800-989-8826 Monday through Friday, 8:00 A.M. to 5:00 P.M. (Eastern Time). For other areas, contact your local DENTSPLY representative.

### **Supplies & Replacement Parts**

To order supplies or replacement parts in the U.S., contact your local DENTSPLY Distributor or call 1-800-989-8826 Monday through Friday, 8:00 A.M. to 5:00 P.M. (Eastern Time). For other areas, contact your local DENTSPLY representative.

Rx Only

Website: [www.professional.dentsply.com](http://www.professional.dentsply.com)

**Rx Only.**

# Table of Contents

---

Section Number	Section Title Description of Contents	Page Number
1	Indications ..... 1.1 Indications for Ultrasonic Prophylaxis Procedures 1.2 Indications for Air Polishing Procedures	3
2	Contraindications.....	3
3	Warnings .....	3
4	General Precautions .....	3
5	Adverse Reactions .....	3
6	Infection Control..... 6.1 Infection Control Information Reference Card 6.2 General Infection Control Recommendations 6.3 Water Supply Recommendations	4
7	Installation Instructions..... 7.1 General Information 7.2 Unpacking the System 7.3 Water Line Requirements & Recommendations 7.4 Water Supply Connection to the System 7.5 System Set-Up	4
8	DualSelect™ System Component Description .....	5
	8.1 System Controls - Front of System	
	8.2 Connections - Back of System	
9	Accessories .....	6
	9.1 Accessories List	
	9.2 Medicaments	
10	Operation .....	6-7
	10.1 Filling Bottles	
	10.2 Dispenser Operations	
11	System Care .....	7-8
	11.1 Recommended Maintenance Beginning the Day Between Patients Ending the Day Ending the Week	
	11.2 Routine Maintenance	
12	Troubleshooting.....	9
	12.1 Troubleshooting Instructions	
	12.2 Technical Support Information	

# Section 1: Indications

---

## 1.1 Indications for Ultrasonic Prophylaxis Procedures

Indicated for Fluid Delivery to Ultrasonic Scaler Units for Ultrasonic Prophylaxis Procedures.

## 1.2 Indications for Air Polishing Procedures

Indicated for Fluid Delivery to Air Polishing Prophylaxis Units for Air Polishing Procedures.

# Section 2: Contraindications

---

- The DualSelect™ Dispensing System is not indicated for use with medicaments other than those found in Section 9.2.
- Where asepsis is required or deemed appropriate in the best professional judgement of the Dental Healthcare professional, this product should not be used.

# Section 3: Warnings

---

- When using the DualSelect™ Dispensing System as a closed line system, avoid increased biofilm formation by:
  1. Using water containing fewer than 200 Colony Forming Units/milliliter during dental procedures.
  2. Following required maintenance.
- Do not operate the system unless Shield is closed.

# Section 4: General Precautions

---

- The system is portable and must be handled with care when moved.
- Equipment flushing and air purging maintenance are required. [See Section 11: System Care]
- If dental office water is used, close the dental unit water shut-off valve at the end of the work day.
- Fluid leakage may occur if Shield is opened with Selector Knob in “A” or “B” position.
- Some medicaments may stain the system and/or bottles.
- To avoid increased biofilm formation, clean water is recommended for flushing the system. [See Section 11: System Care]
- The system is not designed to achieve sterility but can assist you in complying with CDC and ADA guidelines by offering a closed line option and dispensing clean water (less than 200 Colony Forming Units/milliliter).
- It is the Dental Health Care Professional’s responsibility to understand and comply with CDC, ADA and any applicable agency guidelines and requirements.
- During boil-water advisories, this product should not be operated as an open water system (e.g. connected to a public water system). Dental Health Care Professional should discontinue use on patients and contact the local water authority to determine when it is safe to continue use of this product. When the advisory is cancelled, the local water authority should provide guidance for flushing of waterlines. All incoming waterlines from the public water system inside the dental office (e.g., faucets, waterlines, and dental equipment) should be flushed in accordance with manufacturer’s instructions for a period of 2 to 5 minutes.

# Section 5: Adverse Reactions

---

None Known.

# Section 6: Infection Control

---

## 6.1 Infection Control Information

Refer to Section 11 System Care for recommended Daily, Between Patients and End of Week maintenance.

## 6.2 General Infection Control Recommendations

As with all dental procedures, use standard personal protection equipment (i.e., wear face mask, eyewear, or face shield, gloves and protective gown).

## 6.3 Water Supply Recommendations

The DualSelect Dispensing System, as a part of any dental water delivery system, must be properly installed and maintained in accordance with Installation Instructions (Section 7) and System Care (Section 11) and the Infection Control Reference Card enclosed separately, and in accordance with any applicable water quality guidelines and regulations. It is highly recommended that all dental water supply systems conform to applicable CDC (Center for Disease Control) and ADA (American Dental Association) standards, and that all recommendations be followed in terms of flushing, chemical flushing and general infection control procedures. Refer to Section 7.3 and 11. It is the practitioner's responsibility to be aware of and comply with guidelines and regulations (i.e. CDC, ADA, and EN 1717) for water quality that may be applicable.

# Section 7: Installation Instructions

---

## 7.1 General Information

- The DualSelect™ Dispensing System requires connection to the office air supply and can be connected to the external dental office water supply lines.
- If the installation of your DualSelect™ Dispensing System is performed by someone other than an authorized DENTSPLY representative, care should be taken to observe the following requirements and recommendations.

## 7.2 Unpacking the Unit

- Carefully unpack your DualSelect™ Dispensing System and verify that all components and accessories are included:

<u>QTY</u>	<u>ITEM</u>
1	DualSelect™ Dispensing Unit with air and water lines and quick disconnects
2	Bottle assemblies and 2 storage caps
1	Disinfectant bottle assembly and storage cap
1	Literature packet

## 7.3 Water Line Requirements & Recommendations

- Incoming dental office water line pressure to the system must be between 25 psi (172 kPa) and 60 psi (414 kPa). If water line pressure is above 60 psi (414 kPa), a water pressure regulator should be installed.
- Close the manual shut-off valve on the dental water system supply line when the office is unoccupied.
- A filter can be installed in the dental water system supply line to prevent any particles in the water supply from reaching the system.

- All lines should be thoroughly flushed prior to connection to the DualSelect™ System. [See section 11: System Care]

## 7.4 Water Supply Connection to the System

- Flush incoming water line free of contaminants.
- Shut the manual shut-off valve on the external water supply line.
- Connect the DualSelect™ water line (blue) to the external office water source line.
- Open the manual shut-off valve on the external water supply line, and inspect all connections for leaks.

**NOTE: For closed line option, remove DualSelect™ water line completely.**

## 7.5 System Set-Up

- The system should be placed on a stable surface, or set on top of a Cavitron SPS™ Ultrasonic Scaler or Cavitron JET SPS Combination System.
- Ensure ultrasonic scaler unit is off.
- Close shield and place selector knob on the “Open • H<sub>2</sub>O” position.
- Connect office air and water lines to appropriate air and water inputs on the DualSelect™ Dispensing System. (See note)
- Connect ultrasonic scaler/JET air line (if applicable) and water line to the DualSelect™ air and water output lines.

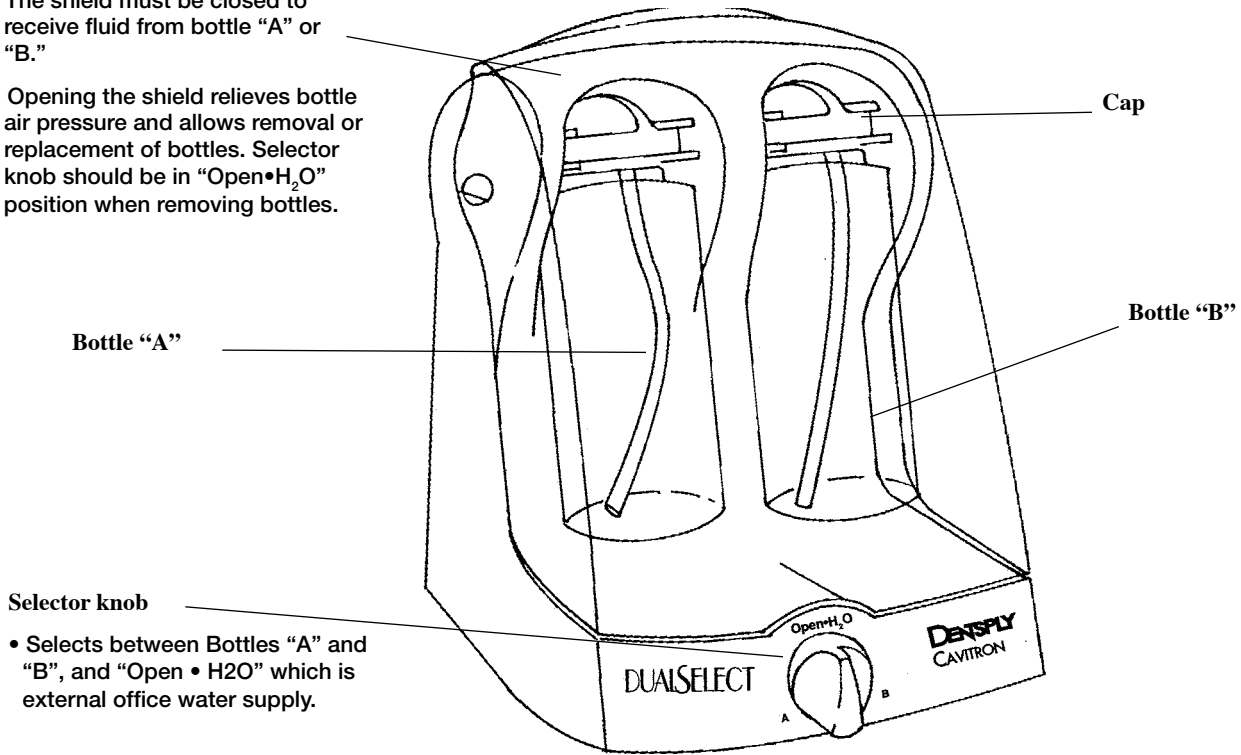
**NOTE: For closed line option, remove DualSelect™ water line completely.**

# Section 8: DualSelect™ System Component Description

## 8.1 System Controls - Front of System

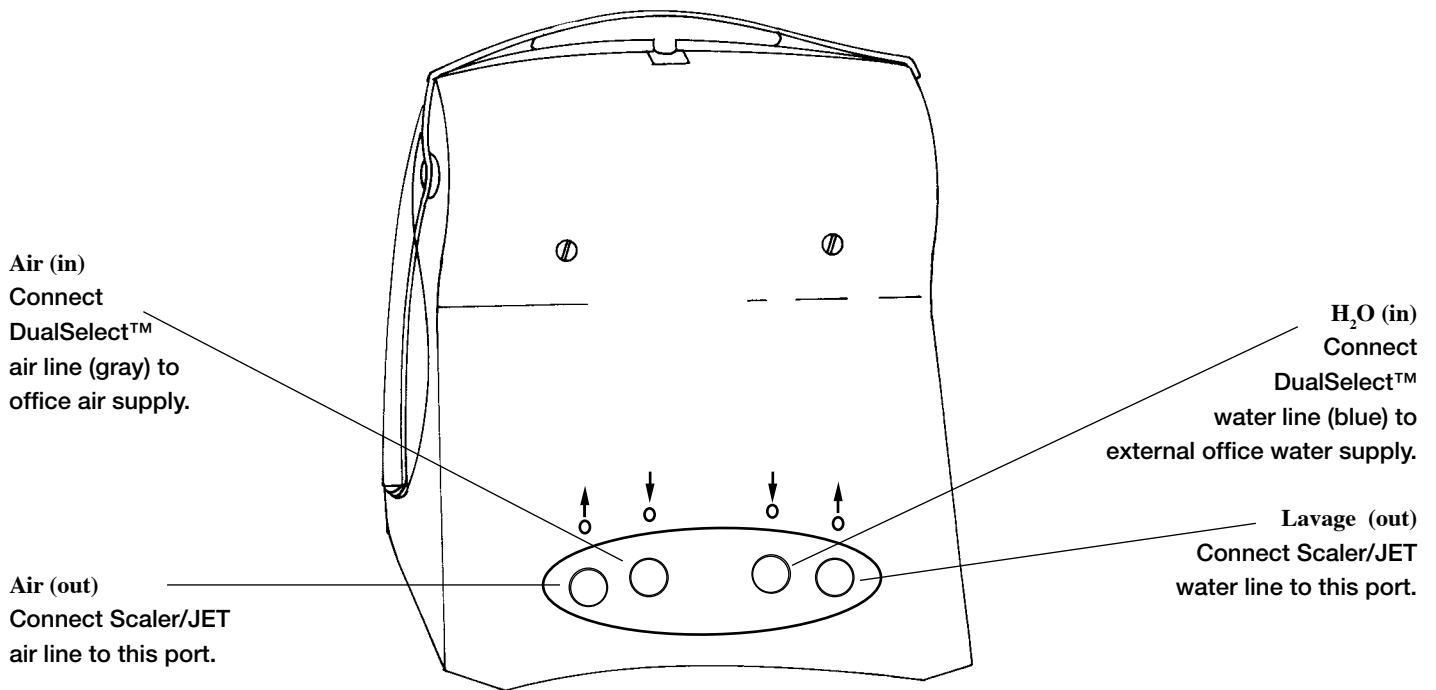
Shield (closed position)

- The shield must be closed to receive fluid from bottle "A" or "B."
- Opening the shield relieves bottle air pressure and allows removal or replacement of bottles. Selector knob should be in "Open•H<sub>2</sub>O" position when removing bottles.



- Selects between Bottles "A" and "B", and "Open • H<sub>2</sub>O" which is external office water supply.

## 8.2 Connections - Back of System



NOTE: For closed line option, remove DualSelect™ water line completely.

## Section 9: Accessories

---

### 9.1 Accessories List\*

1. Accessory pack includes 2 bottle assemblies and 2 storage caps.
2. Disinfectant bottle assembly and storage cap.
3. Shield.

\*For detailed information, contact your local DENTSPLY distributor or, in the U.S., call DENTSPLY Customer Service at 1-800-989-8825 or 717-767-8500.

### 9.2 Medicaments

The following medicaments are compatible with the DualSelect™ Dispensing System.

- Chlorhexidine Gluconate 0.12%
- Cetylpyridinium Chloride (Cepacol®)
- Essential Oils (Listerine®)
- Hydrogen Peroxide, 3% USP
- Povidone Iodine, 10% Solution
- Saline Solution
- Sanguinaria Extract (Viadent®)
- Clean Water, USP  
(for irrigating and system maintenance purposes)

**NOTE: Prolonged use of Povidone Iodine without an adequate water flush afterwards will reduce the useful life of your DualSelect™ Dispensing System.**

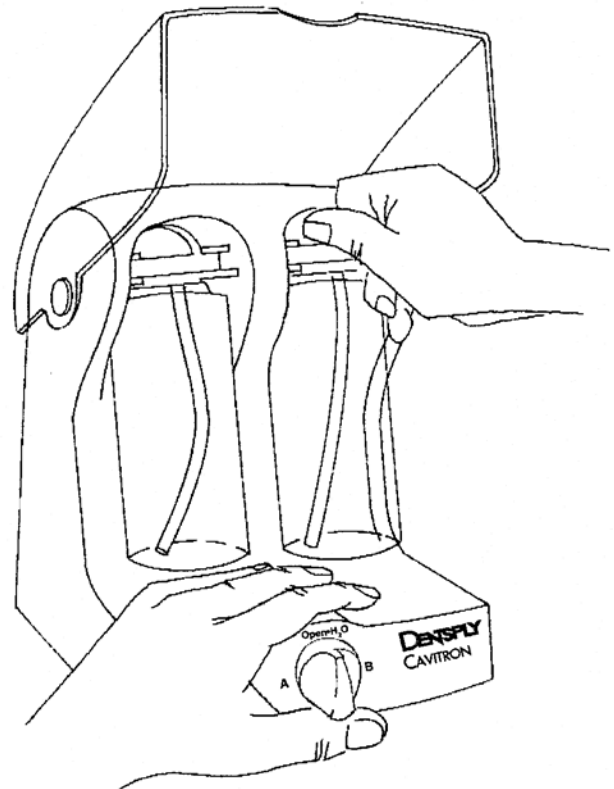
## Section 10: Operation

---

### 10.1 Filling Bottles

- Set Selector Knob on “Open • H<sub>2</sub>O” position. Lift Shield carefully and slowly to fully open position.
- Opening the shield de-pressurizes the bottles. The sound of air pressure releasing is normal.
- Remove bottles as shown. Pull the cap grip with one hand while holding the base of the DualSelect™ Dispensing System with the other hand. The bottle should be pulled parallel from the system base.
- Unscrew cap; remove and place it upside down on a clean area to avoid contamination of the evacuation tube.
- Fill bottle to the desired level and replace cap.
- Tighten cap securely to prevent air leakage.
- Insert bottle by aligning the cap between the guide ribs and push cap onto the couplings. The couplings are loose for easy bottle alignment during insertion. Both openings in the cap must be aligned over the male couplings.
- Close Shield.

The system is now ready for operation.

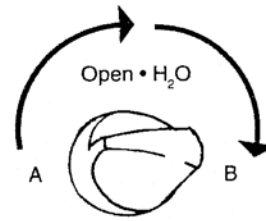


## Section 10: Operation (con'd)

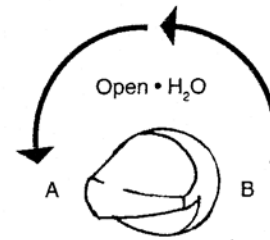
### 10.2 Dispenser Operations

- Turn on the scaler/JET. Fluid flow from the DualSelect™ Dispensing System is controlled by the water control on the ultrasonic scaler, Cavitron® JET Systems or PROPHY-JET® Systems.
- Turn the Selector Knob to the desired position: Bottle “A”, “Open • H<sub>2</sub>O”, or Bottle “B”. Selector knob can only be rotated 180° through the “Open • H<sub>2</sub>O” setting; “A” to “B” or “B” to “A”. (as shown to right)
- The scaler/JET connected to the DualSelect™ System can now receive fluid from the selected source.
- When switching between bottles “A” & “B”, allow 30 seconds for new fluid to exit handpiece.
- To use office water, set Selector Knob to “Open • H<sub>2</sub>O” position.

**NOTE:** When utilizing closed line option, no water will exit the system on “Open • H<sub>2</sub>O” position since no external water line is connected to the DualSelect™ System. The “A” or “B” position must be selected to receive fluid.



“A” to “B”



“B” to “A”

## Section 11: System Care

### 11.1 Recommended Maintenance

#### Beginning the Day

1. Place bottle with clean water in position “A.”
2. Close Shield and set Selector Knob to position “A.”
3. Operate ultrasonic scaler/JET at maximum water flow for at least one minute, per the Centers for Disease Control and Prevention (CDC) guidelines.
4. Set selector knob to “Open • H<sub>2</sub>O” position.
5. Lift shield, remove bottle from position “A” and place it in position “B.” Repeat steps 2 & 3 in position “B.”
6. Open shield and remove bottle from “B” position.
7. Place bottle with clean water/medicament in one or both positions, close shield and set Selector Knob to appropriate position.
8. Place a freshly sterilized insert/nozzle into the handpiece.
9. Unit is now ready for operation.

#### Between Patients

1. Remove ultrasonic/JET insert or air polishing nozzle from the handpiece, clean and sterilize.
2. Place bottle with clean water in position “A.” Close Shield and set Selector Knob to position “A.”
3. Operate ultrasonic scaler/JET at maximum water flow for at least 30 seconds, as per the Centers for Disease Control and Prevention (CDC) guidelines, to flush all previously used fluids from the system.

4. Set Selector Knob to “Open•H<sub>2</sub>O” position and open Shield. Remove bottle with clean water from position “A” and place it in position “B.” Repeat steps 2 & 3 in position “B.” Set selector knob to “Open•H<sub>2</sub>O” position, open shield and remove bottle with clean water from position “B.”
5. Clean and disinfect all surfaces of the DualSelect™ Dispensing System and attachments by applying an approved non-immersion type disinfectant solution carefully following the instructions provided by the disinfectant solution manufacturer. To clean system, generously spray disinfectant solution on a clean towel and wipe entire unit. Discard used towel. To disinfect system, generously spray disinfectant on a clean towel and wipe entire unit. Allow disinfectant solution air dry.
6. Place bottle with clean water/medicament in one or both positions, close Shield and set Selector Knob to appropriate position.
7. Place a freshly sterilized insert/nozzle into the handpiece.
8. Unit is now ready for operation.

**NOTE:** Water based disinfectant solutions are preferred. Some alcohol based solutions may be harmful and may discolor plastic materials.



## Section 11 : System Care (con'd)

### Ending the Day

1. Remove ultrasonic/JET insert or air polishing nozzle from the handpiece, clean and sterilize.
2. Place bottle with clean water in position "A." Close Shield and set Selector Knob to position "A."
3. Operate ultrasonic scaler/JET at maximum water flow for at least 30 seconds to flush all previously used fluids from the system.
4. Set selector knob to "Open•H<sub>2</sub>O" position and open Shield. Remove bottle with clean water from position "A" and place it in position "B". Repeat steps 2 & 3 in position "B". Set Selector Knob to "Open•H<sub>2</sub>O" position, open Shield and remove bottle with clean water.
5. Place an empty bottle in position "A" and close Shield. Set Selector Knob to position "A" and operate ultrasonic scaler/JET for 30 seconds at maximum water flow to air purge the line. Set Selector Knob to "Open•H<sub>2</sub>O" position and open Shield.
6. Remove empty bottle from position "A" and place it in position "B". Repeat step 5 in position "B". Set Selector Knob to "Open•H<sub>2</sub>O" position, open Shield and remove empty bottle from position "B". At the end of the cycle, the line should be relatively dry.
7. Clean and disinfect all surfaces of the DualSelect™ Dispensing System and attachments by applying an approved non-immersion type disinfectant solution carefully following the instructions provided by the disinfectant solution manufacturer. To clean system, generously spray disinfectant solution on a clean towel and wipe entire unit. Discard used towel. To disinfect system, generously spray disinfectant on a clean towel and wipe entire unit. Allow disinfectant solution air dry.

### End of the Week

1. Remove ultrasonic/JET insert or air polishing nozzle from the handpiece, clean and sterilize.
2. Place bottle with clean water in position "A." Close Shield and set Selector Knob to position "A."
3. Operate ultrasonic scaler/JET at maximum water flow for at least 30 seconds to flush all previously used fluids from the system. Set Selector Knob to "Open•H<sub>2</sub>O" position and open Shield.
4. Remove bottle with water from position "A" and place it in position "B". Repeat steps 2 & 3 in position "B". Remove bottle with clean water from position "B".
5. Place an empty bottle in "A" position, close Shield and set Selector Knob to position "A". Operate ultrasonic scaler/JET for 30 seconds at maximum water flow to air purge the line. Set Selector Knob to "Open•H<sub>2</sub>O" position and open Shield.
6. Remove empty bottle from position "A" and place it in position "B". Repeat step 5 in position "B". Remove empty bottle from position "B".
7. Prepare a 1:10 solution hypochlorite (NaOCl) solution by filling 5.25% sodium hypochlorite to the designated

line on the disinfectant bottle. Fill the remainder of the disinfectant bottle with clean water. Place disinfectant bottle in position "A". Close Shield and set Selector Knob to position "A". Operate ultrasonic scaler/JET at maximum water flow for at least 30 seconds until solution drains from the handpiece.

8. Set Selector Knob to "Open•H<sub>2</sub>O" position and open Shield. Remove disinfectant bottle from position "A" and place it in position "B". Switch Selector Knob to position "B" and operate for at least 10 seconds. Set Selector Knob to "Open•H<sub>2</sub>O" position, open Shield and remove disinfectant bottle. *Leave unit undisturbed for at least 10 minutes but no more than 30 minutes to allow sodium hypochlorite solution to soak in lines. As a suggestion, PLACE A SIGN WHICH STATES THAT THE SYSTEM IS BEING DISINFECTED WITH A STRONG DISINFECTANT AND SHOULD NOT BE USED.*
9. Fill a bottle with clean water, place it in position "A" and close Shield. Set Selector Knob to position "A" and operate ultrasonic scaler/JET at maximum water flow for at least 30 seconds or until sodium hypochlorite odor disappears. ALL CHEMICALS MUST BE FLUSHED FROM THE SYSTEM BEFORE IT IS READY FOR PATIENT USE. Set Selector Knob to "Open•H<sub>2</sub>O" position and open Shield. Remove bottle from position "A" and place it in position "B." Close Shield and set Selector Knob to position "B". Operate ultrasonic scaler/JET at maximum water flow for at least 30 seconds until water drains or sodium hypochlorite odor disappears. No residual odor should remain in the system.
10. Set Selector Knob to "Open•H<sub>2</sub>O" position, open Shield and remove bottle with clean water from position "B". Place empty bottle in position "A", close Shield and set Selector Knob to position "A". Operate ultrasonic scaler/JET system at maximum water flow for at least 30 seconds to air purge line dry. Set Selector Knob to "Open•H<sub>2</sub>O" position and remove empty bottle from position "A" and place in position "B". Operate ultrasonic scaler/JET system at maximum water flow for at least 30 seconds to air purge line dry. At the end of the cycle, the line should be relatively dry.

**NOTE: Dispose of all medicaments/disinfecting solutions from bottles on a weekly basis. Follow cleaning and sterilization procedures in the Cavitron Infection Control Procedure Booklet (Form No. 81158) provided. DISINFECTANT BOTTLE SHOULD BE USED FOR DISINFECTANT PURPOSES ONLY.**

### Section 11.2 Routine Maintenance

IMPORTANT: O-rings are a wear item and must be replaced routinely. Please contact your dealer or Cavitron Care™ for replacement Part No. 628051001.

# Section 12: Troubleshooting

---

Although service and repair of the DualSelect™ Dispensing System should be performed by DENTSPLY personnel [See Section 12.2: Technical support Information], the following are some basic troubleshooting procedures that will help avoid unnecessary service calls.

## 12.1 Troubleshooting Instructions

If desired fluid does not flow from empty handpiece after operating for 60 seconds:

1. Check all connections on the DualSelect™ Dispensing System back panel to verify that lines are properly installed.
2. Check Selector Knob is in appropriate position.
3. Check selected bottle is not empty.
4. When dental office water is utilized, ensure shut-off valve is open.
5. Check cap is securely tightened on bottle.
6. Check fluid level is covering bottom of internal tube.

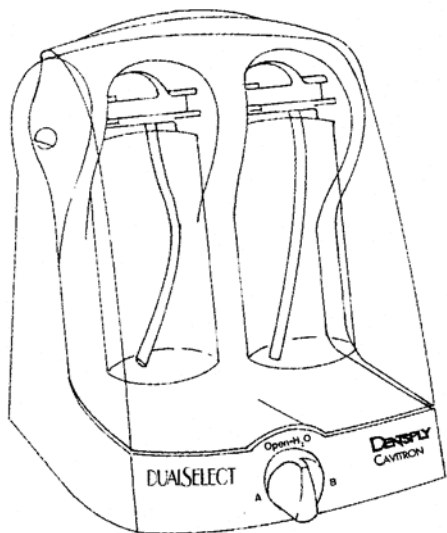
## 12.2 Technical Support Information

There are no user serviceable parts in this device. Refer all service to a qualified service repair facility. For technical support and repair assistance in the U.S., call Cavitron Care<sup>SM</sup> at 1-800-989-8826 Monday through Friday, 8:00 A.M. to 5:00 P.M. (Eastern Time). For other areas, contact your local DENTSPLY representative.

# Section 13 : Product Specifications

---

Dental water line pressure	25 –60 psig	(172 – 414 kPa)
Dental air line pressure	65 –100 psig	(448 – 690 kPa)
Output lavage pressure	30 psig	(207 kPa)
Output air pressure	65 –100 psig	(448 – 690 kPa)
Bottle capacity	480 ml	
Flow rate	15 – 55 ml/min.	
Weight	4.2 lbs	(1.9 kg)
Dimensions	Height:	10 ¼ in. (26.0 cm)
	Width:	8 in. (20.3 cm)
	Depth:	9 in. (22.9 cm)
	Air Supply Line:	96 in. (2.4 m)
	Water Supply Line:	96 in. (2.4 m)
Operating Environment		
Temperature:	15 to 40 Deg. Celsius	
Relative Humidity:	30% to 75% (non-condensing)	
Transport and Storage Conditions		
Temperature:	0 to 70 Deg. Celsius	
Relative Humidity:	10% to 95% (non-condensing)	
Atmospheric Pressure:	500 to 1060 kPa	



**FRANÇAIS**

## Systeme de distribution Cavitron® DualSelect™

### Mode d'emploi

Veillez lire la notice complètement et soigneusement avant  
d'utiliser ce système.

## Introduction

### Systeme de distribution Cavitron® DualSelect™

Félicitations ! Votre achat d'un système de distribution DualSelect™ représente un bon investissement.

Le système de distribution DualSelect™ est conçu pour fournir divers médicaments et/ou de l'eau propre au travers d'unités de détartrage ultrasonique Cavitron®, comme les systèmes Cavitron™ JET® et PROPHY-JET®. Le système de distribution DualSelect™ permet à l'utilisateur de choisir soit deux flacons internes soit une alimentation d'eau extérieure du cabinet dentaire comme moyen liquide de distribution. De plus, le système de distribution DualSelect™ peut vous aider à satisfaire aux directives du CDC (Centers for Disease Control and Prevention) et de l'ADA (American Dental Association) en mettant à votre disposition un circuit fermé et en distribuant de l'eau propre.

Votre système de distribution DualSelect™ est un produit inclus dans la liste UL (Underwriters Laboratories).

### Assistance technique

Ce système ne contient aucun composant donnant lieu à un service après vente. Pour tout service, veuillez vous adresser à un centre de service agréé. Pour toute assistance technique et réparations, si vous êtes aux Etats-Unis, contactez Cavitron Care<sup>SM</sup> au 1-800-989-8826 du lundi au vendredi, de 8h00 à 17h00 (Côte Est). Pour les autres régions, veuillez contacter votre représentant DENTSPLY local.

### Fournitures et pièces de rechanges

Pour commander des fournitures ou des pièces de rechange aux États-Unis, veuillez contacter votre distributeur DENTSPLY local ou composer le 1-800-989-8826, du lundi au vendredi, de 8h00 à 17h00 (heure de la côte est des États-Unis). Pour les autres régions, veuillez contacter votre représentant DENTSPLY local.

Rx uniquement.

Site Web : [www.professional.dentsply.com](http://www.professional.dentsply.com)

### Rx uniquement

# Table des Matières

---

Numéro de section	Titre de la section Description du contenu	Numéro de page
1	Indications .....12 1.1 Indications pour des procédures de prophylaxie ultrasonique 1.2 Indications pour des procédures de polissage à l'air	
2	Contre-indications .....12	
3	Avertissements .....12	
4	Précautions générales .....12	
5	Effets indésirables .....12	
6	Contrôle de l'infection .....13 6.1 Fiche d'information de référence pour le contrôle de l'infection 6.2 Recommandations générales pour le contrôle de l'infection 6.3 Recommandations pour l'alimentation en eau	
7	Instructions de montage .....13 7.1 Information d'ordre général 7.2 Déballage du système 7.3 Recommandations et spécifications requises pour l'alimentation en eau 7.4 Branchement du circuit d'alimentation en eau au système 7.5 Mise en place du système	
8	Description des composantes du système DualSelect™ .....14 8.1 Contrôle du système-panneau frontal 8.2 Branchements-panneau dorsal	
9	Accessoires .....15 9.1 Liste des accessoires 9.2 Médicaments	
10	Fonctionnement ..... 15–16 10.1 Remplissage des flacons 10.2 Fonctionnement du distributeur	
11	Entretien du système ..... 16–18 11.1 Maintenance recommandée En début de journée Entre patients En fin de journée En fin de semaine 11.2 Maintenance de routine	
12	Dépannage .....18 12.1 Instructions de dépannage 12.2 Information sur l'assistance technique	

## Section 1 : Indications

---

### 1.1 Indications pour des procédures de prophylaxie ultrasonique

Recommandé pour la distribution du liquide aux unités de détartrage ultrasonique lors de procédures de prophylaxie ultrasonique.

### 1.2 Indications pour des procédures de polissage à l'air

Recommandé pour la distribution du liquide aux unités de prophylaxie par polissage à l'air lors de procédures de polissage à l'air.

## Section 2 : Contre-Indications

---

- Le système de distribution DualSelect™ ne peut être utilisé pour dispenser des médicaments autres que ceux mentionnés dans la Section 9.2.
- Lorsque la profession dentaire estime que l'aseptisation est obligatoire, ou appropriée, il ne faut pas employer ce produit

## Section 3 : Avertissements

---

- Lors de l'utilisation du système de distribution DualSelect™ en tant que circuit fermé, évitez la formation accrue d'un biofilm en :
  1. Utilisant de l'eau contenant moins de 200 Unités Formant Colonies/millimètre pendant les procédures dentaires.
  2. Accomplissant l'entretien recommandé.
- Ne pas faire fonctionner le système à moins que le couvercle de protection ne soit fermé.

## Section 4 : Précautions générales

---

- Le système est portable et doit être manipulé avec précaution lors de tout déplacement.
- Un drainage des équipements et un entretien par purge d'air sont nécessaires. [Voir Section 11 : Entretien du système.]
- Si l'eau du cabinet dentaire est utilisée, fermez la valve coupant l'alimentation en eau du cabinet à la fin de la journée.
- Une fuite de liquide peut se produire si le couvercle de protection reste ouvert avec le bouton de sélection en position « A » ou « B ».
- Certains médicaments peuvent tacher le système et/ou les flacons.
- Pour éviter la formation accrue d'un biofilm, il est recommandé d'utiliser de l'eau stérile pour purger le système. [Voir section 11 : Entretien du système.]
- Le système n'est pas conçu pour garantir un niveau de stérilité mais il peut vous aider à satisfaire aux directives du CDC (Centers for Disease Control and Prevention) et de l'ADA (American Dental Association) en mettant à votre disposition un circuit fermé et en distribuant de l'eau propre (moins de 200 Unités Formant Colonies/millimètre).
- C'est aux professionnels des soins et de l'hygiène dentaires qu'il revient de comprendre et de se conformer aux directives et exigences CDC, ADA et autres.
- Lorsqu'il est recommandé de faire bouillir l'eau, ce produit ne doit pas fonctionner comme un système d'alimentation en eau ouvert (par ex., branché directement sur un réseau d'eau public). Les professionnels des soins et de l'hygiène dentaire doivent cesser d'utiliser ce produit sur les patients et contacter les autorités locales responsables de l'eau afin de déterminer quand ce produit pourra être utilisé à nouveau sans danger. Lorsque la mise en garde est annulée, les autorités locales de gestion de l'eau doivent fournir des recommandations sur le rinçage forcé des canalisations d'eau. Toutes les canalisations d'eau amenant l'eau du réseau public au cabinet dentaire (par ex., robinets, canalisations d'eau et équipement dentaire) doivent être rincées conformément aux instructions du fabricant pendant 2 à 5 minutes.

## Section 5 : Effets indésirables

---

Aucun effet indésirable n'est connu.

## Section 6 : Contrôle de l'infection

### 6.1 Informations sur le contrôle des infections

Pour des informations sur l'entretien du système quotidien, entre les consultations et en fin de semaine, consulter le Chapitre 11 – Entretien du Système.

### 6.2 Recommandations générales pour le contrôle de l'infection

Comme pour toute procédure dentaire, portez les équipements standard de protection (c'est-à-dire masque, lunettes, gants et tablier protecteur).

### 6.3 Recommandations pour l'alimentation en eau

Le système de distribution DualSelect, tout comme n'importe quel dispositif d'alimentation en eau pour cabinet dentaire, doit être installé et entretenu conformément à toute réglementation et directive concernant la qualité de l'eau, ainsi qu'aux instructions de montage (Section 7), aux instructions d'entretien (Section 11) et aux instructions figurant sur la carte 'Contrôle de l'infection' jointe séparément. Il est fortement recommandé que tous les systèmes fournissant de l'eau soient conformes aux normes applicables des CDC (Centers for Disease Control and Prevention) et de l'ADA (American Dental Association) ; de même, toutes les recommandations relatives au rinçage et aux procédures de contrôle des infections doivent être suivies. Pour de plus amples informations, consultez les sections 7.3 et 11. C'est au praticien qu'il revient de connaître et de se conformer aux directives et exigences applicables concernant la qualité de l'eau (CDC, ADA et EN 1717).

## Section 7 : Instructions de montage

### 7.1 Information d'ordre général

- Le système de distribution DualSelect™ doit être relié à l'approvisionnement en air du cabinet et peut être relié à l'alimentation en eau extérieure du cabinet.
- Si l'installation de votre système de distribution DualSelect™ est réalisée par une personne autre qu'un représentant agréé de DENTSPLY, assurez-vous que les recommandations et exigences suivantes sont observées.

### 7.2 Déballage du système

- Déballez avec précaution votre système de distribution DualSelect™ et vérifiez que toutes les composantes et accessoires sont inclus :

<u>QUANTITE</u>	<u>ARTICLE</u>
1	Unité de distribution DualSelect™ avec circuits d'alimentation d'air et d'eau et prises de débranchement rapide.
2	Ensembles flacons et 2 capuchons de stockage.
1	Ensemble flacon de désinfectant et capuchon de stockage
1	Documentation

### 7.3 Recommandations et spécifications requises pour l'alimentation en eau

- La pression dans la canalisation d'eau du cabinet dentaire alimentant le système doit être comprise entre 172 et 414 kPa. Si la pression de l'eau est supérieure à 414kPa, il faut installer un régulateur de pression de l'eau.
- Fermez la valve de fermeture manuelle de l'alimentation en eau du cabinet dentaire quand le cabinet est fermé.
- Un filtre peut être installé sur les canalisations alimentant en eau le cabinet dentaire pour empêcher toute particule présente dans l'eau d'arriver dans le système.

- Toutes les canalisations en eau doivent être soigneusement purgées avant d'être branchées sur le système de distribution DualSelect™. [Voir Section 11 : Entretien du système.]

### 7.4 Branchement du circuit d'alimentation en eau du système

- Purger et chassez tout contaminant.
- Fermez la valve de fermeture manuelle d'alimentation en eau.
- Branchez la canalisation d'eau DualSelect™ (bleue) à la canalisation d'alimentation en eau extérieure du cabinet.
- Ouvrez la valve de fermeture manuelle d'alimentation en eau et vérifiez qu'il n'y a pas de fuites au niveau des branchements.

**REMARQUE :** dans le cas de l'option circuit fermé, éliminez complètement la canalisation d'eau DualSelect™.

### 7.5 Mise en place du système

- Le système doit être installé sur une surface stable ou au-dessus d'un système de détartrage ultrasonique Cavitron SPS™ ou système de combinaison Cavitron JET SPS
- Assurez-vous que l'unité de détartrage ultrasonique est éteinte.
- Fermez le couvercle de protection et mettez le bouton de sélection sur la position « Open•H<sub>2</sub>O ».
- Branchez les canalisations d'eau et d'air du cabinet aux arrivées d'eau et d'air correspondantes sur le système de distribution DualSelect™. (Voir remarque).
- Branchez les canalisations d'air de l'unité de détartrage ultrasonique/JET (si c'est le cas) et d'eau sur les canalisations de sortie d'eau et d'air du système DualSelect™.

**REMARQUE :** dans le cas de l'option circuit fermé, éliminez complètement la canalisation d'eau DualSelect™.

## Section 8 : Description des composantes du système .....

### DualSelect™

#### 8.1 Contrôles du système panneau frontal

##### Couvercle de protection (position fermée)

- Le couvercle de protection doit être fermé pour recevoir le liquide des flacons « A » ou « B ».
- Ouvrir le couvercle de protection relâche la pression d'air dans les flacons et permet de les retirer ou de les remplacer. Le bouton de sélection doit être en position « Open•H<sub>2</sub>O » quand les flacons sont retirés.

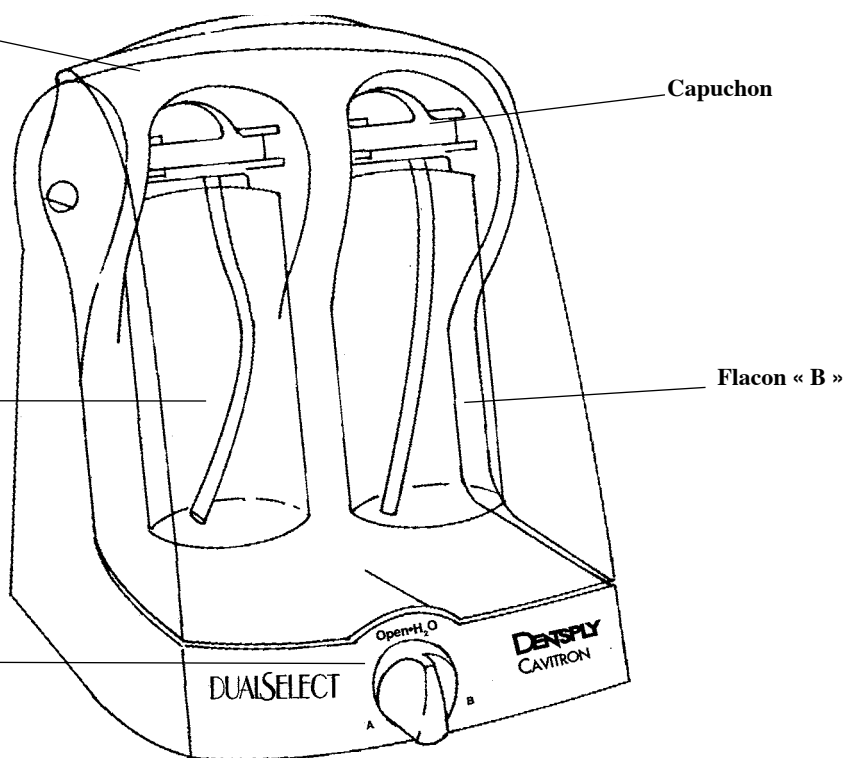
Flacon « A »

Capuchon

Flacon « B »

##### Bouton de sélection

- Choisit entre les flacons « A » et « B » et « Open•H<sub>2</sub>O » ce qui correspond à l'alimentation en eau du cabinet.



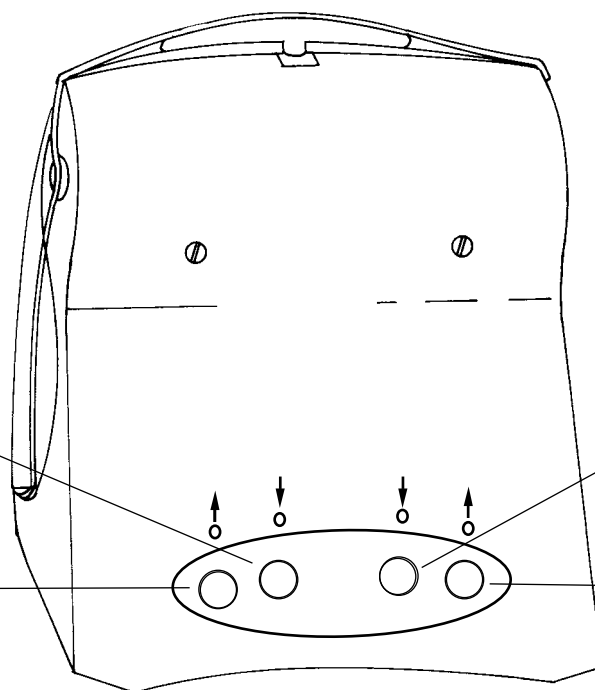
#### 8.2 Branchements panneau dorsal

Air (entrée)

Relie la canalisation d'air (grise) DualSelect™ à la source d'air du cabinet.

Air (sortie)

Relie la canalisation d'air du système de détartrage/JET à ce port.



H<sub>2</sub>O (entrée)

Relie la canalisation d'eau DualSelect™ (bleue) à l'alimentation en eau extérieure du cabinet.

Lavage (sortie)

Relie la canalisation en eau du système de détartrage/JET à ce port.

**REMARQUE :** dans le cas de l'option circuit fermé, éliminez complètement la canalisation d'eau DualSelect™

## Section 9 : Accessoires

---

### 9.1 Liste des accessoires\*

1. Le paquet d'accessoires comprend deux ensembles flacons et deux capuchons de stockage.
2. Un ensemble flacon de désinfectant et un capuchon de stockage.
3. Couvercle de protection.

\*Pour des renseignements plus détaillés, contactez votre représentant local DENTSPLY.

### 9.2 Médicaments

Les médicaments suivants sont compatibles avec le système de distribution DualSelect™.

- Gluconate de chlorhexidine à 0,12 %
- Chlorure de cétylpyridinium (Cepacol®)
- Huiles essentielles (Listerine®)
- Eau oxygénée, 3 %
- Solution de polyvidone iodée, 10 %
- Solution salée
- Extrait sanguinaire (Viadent®)
- Eau stérile, U.S.P. (Pharmacopée des Etats-Unis) (pour l'irrigation et l'entretien du système)

**NOTE : l'utilisation prolongée de polyvidone iodée non suivie d'un rinçage à l'eau adéquat diminuera la vie de service de votre appareil DualSelect™.**

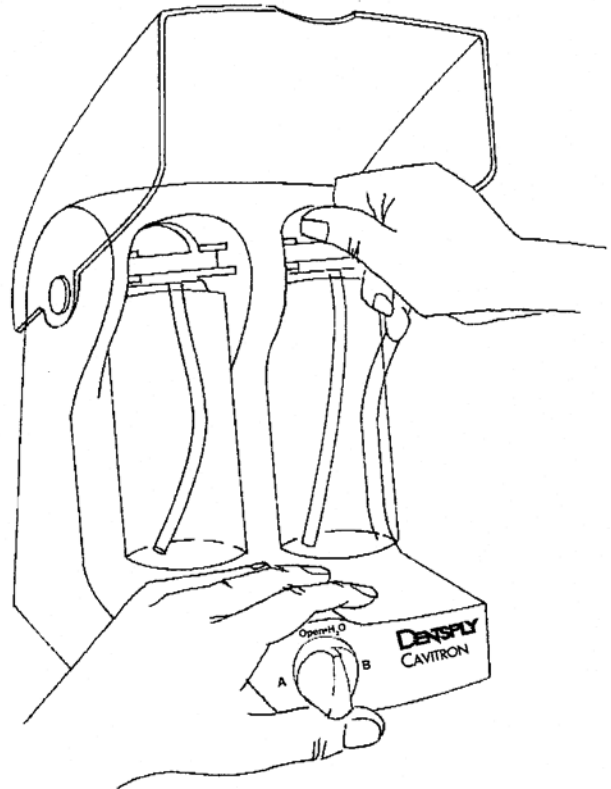
## Section 10 : Fonctionnement

---

### 10.1 Remplissage des flacons

- Mettez le bouton de sélection sur la position « Open•H<sub>2</sub>O ». Soulevez le couvercle de protection prudemment et lentement jusqu'à ouverture complète.
- Ouvrir le couvercle de protection dépressurise les flacons. Le son de dépressurisation de l'air est normal.
- Retirez les flacons comme montrés. Tirez sur la poignée du capuchon d'une main en maintenant de l'autre la base du système de distribution DualSelect™. Le flacon doit être retiré parallèlement à la base du système.
- Dévissez le capuchon ; retirez-le et placez-le à l'envers sur une surface propre pour éviter toute contamination du tube d'évacuation.
- Remplissez le flacon jusqu'au niveau désiré et remettez le capuchon.
- Serrez bien le capuchon pour éviter toute fuite d'air.
- Insérez le flacon en alignant le capuchon entre les rainures de guidage et poussez le capuchon sur les dispositifs de couplage, les dispositifs sont lâches pour permettre un alignement facile du flacon pendant l'insertion. Les deux ouvertures du capuchon doivent être alignées par dessus le dispositif mâle de couplage.
- Fermez le couvercle de protection.

Le système est maintenant prêt à fonctionner.





### 10.2 Fonctionnement du distributeur

- Allumez l'unité de détartrage/JET. Le débit de liquide du système de distribution DualSelect™ est contrôlé par le contrôle d'eau de l'unité de détartrage ultrasonique des systèmes Cavitron JET® et PROPHY-JET®.

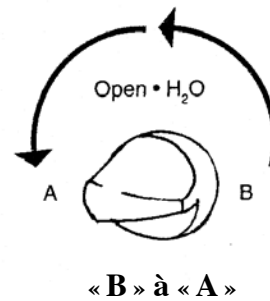
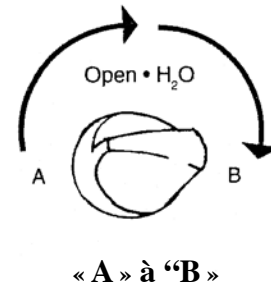
- Mettez le bouton de sélection sur la position désirée : flacon « A », « Open•H<sub>2</sub>O », ou flacon « B ». Le bouton de sélection peut seulement être tourné de 180° de la position « A » à la position « B » ou de la position « B » à la position « A » en passant par « Open•H<sub>2</sub>O » (comme montré à droite).

- L'unité de détartrage/JET reliée au système DualSelect™ peut maintenant recevoir du liquide à partir de la source choisie.

- Quand on passe du flacon « A » au flacon « B », attendre 30 secondes pour laisser le nouveau liquide sortir au niveau de la pièce à main.

- Pour utiliser l'eau du cabinet, mettez le bouton de sélection sur la position « Open•H<sub>2</sub>O ».

**REMARQUE :** lors de l'utilisation de l'option circuit fermé, aucune eau ne sortira du système dans la position « Open•H<sub>2</sub>O » puisque aucune ligne d'eau extérieure n'est reliée au système DualSelect™. La position « A » ou « B » doit être choisie pour que le système reçoive du liquide.



## Section 11 : Entretien du système

### 11.1 Maintenance recommandée

#### En début de journée

1. Mettez le flacon contenant l'eau propre en position « A ».
2. Fermez le couvercle de protection et mettez le bouton de sélection sur la position « A ».
3. Faites marcher l'unité de détartrage ultrasonique/JET au débit d'eau maximum pendant au moins une minute, selon les directives du CDC (Centers for Disease Control and Prevention).
4. Mettez le bouton de sélection sur la position « Open•H<sub>2</sub>O ».
5. Soulevez le couvercle de protection, retirez le flacon de la position « A » et le mettre en position « B ». Répétez les étapes 2 & 3 dans la position « B ».
6. Ouvrez le couvercle de protection et retirez le flacon de la position « B ».
7. Mettez le flacon contenant l'eau propre / le liquide médicamenteux dans une position ou dans les deux, fermer le capot et tourner le bouton de sélection dans la position appropriée.
8. Remplacez la tête/ajutage sur la pièce à main par une fraîchement stérilisée.
9. Le système est maintenant prêt à fonctionner.

#### Entre patients

1. Retirez les têtes ultrasoniques/JET ou les ajutages de polissage à l'air de la pièce à main, nettoyez et stérilisez.

2. Mettez le flacon contenant l'eau propre en position « A ».
3. Faites marcher l'unité de détartrage ultrasonique/JET au débit d'eau maximum pendant au moins 30 secondes, selon les directives du CDC (Centers for Disease Control and Prevention) pour chasser hors du système tous les liquides utilisés précédemment.
4. Mettez le bouton de sélection sur la position « Open•H<sub>2</sub>O » et ouvrez le couvercle de protection. Retirez le flacon contenant l'eau propre de sa position « A » et mettez-le en position « B ». Répétez les étapes 2 & 3 pour la position « B ». Mettez le bouton de sélection sur la position « Open•H<sub>2</sub>O », ouvrez le couvercle de protection et retirez le flacon l'eau propre de la position « B ».
5. Nettoyez et désinfectez toutes les surfaces du système de distribution DualSelect™ et ses périphériques en utilisant une solution désinfectante de surface agréée, en suivant scrupuleusement les instructions fournies par le fabricant de la solution de désinfectant. Pour nettoyer le système, mouillez généreusement une serviette propre avec la solution désinfectante et essuyez entièrement le système. Jetez la serviette utilisée. Pour désinfecter le système, appliquez généreusement la solution désinfectante sur une serviette propre et essuyez complètement le système. Laissez la solution désinfectante sécher à l'air.
6. Mettez le flacon contenant l'eau propre / le liquide médicamenteux dans une position ou dans les deux, fermez le capot et tournez le bouton de sélection dans la position appropriée.

## Section 11 : Entretien du système (suite)

7. Remplacez la tête/ajutage sur la pièce à main par une fraîchement stérilisée.
8. Le système est maintenant prêt à fonctionner.

**REMARQUE : des solutions désinfectantes aqueuses sont préférées. Certaines solutions alcoolisées peuvent être nocives et peuvent décolorer le matériel en plastique.**

### En fin de journée

1. Retirez les têtes ultrasoniques/JET ou les ajutages de polissage à l'air de la pièce à main, nettoyez et stérilisez.
2. Mettez un flacon d'eau stérile dans la position « A ». Fermez le couvercle de protection et mettez le bouton de sélection en position « A ».
3. Faites marcher l'unité de détartrage ultrasonique/JET au débit d'eau maximum pendant au moins 30 secondes pour chasser hors du système tous les liquides utilisés précédemment.
4. Mettez le bouton de sélection sur la position « Open•H<sub>2</sub>O » et ouvrez le couvercle de protection. Retirez le flacon d'eau stérile de la position « A » et mettez-le dans la position « B ». Mettez le bouton de sélection sur la position « Open•H<sub>2</sub>O », ouvrez le couvercle de protection et retirez le flacon d'eau stérile.
5. Mettez un flacon vide dans la position « A ». Fermez le couvercle de protection. Mettez le bouton de sélection sur la position « A » et faites marcher l'unité de détartrage ultrasonique/JET au débit d'eau maximum pendant au moins 30 secondes pour purger à l'air les canalisations. Mettez le bouton de sélection sur la position « Open•H<sub>2</sub>O » et ouvrez le couvercle de protection.
6. Retirez le flacon vide de la position « A » et mettez-le dans la position « B ». Répétez l'étape 5 pour la position « B ». Mettez le bouton de sélection sur la position « Open•H<sub>2</sub>O », ouvrez le couvercle de protection et retirez le flacon vide de la position « B ». A la fin du cycle, la canalisation devrait être relativement sèche.
7. Nettoyez et désinfectez toutes les surfaces du système de distribution DualSelect™ et ses périphériques en utilisant une solution désinfectante de surface approuvée selon les réglementations nationales en suivant scrupuleusement les instructions fournies par le fabricant de la solution de désinfectant. Pour nettoyer le système, mouillez généreusement une serviette propre avec la solution désinfectante et essuyez entièrement le système. Jetez la serviette utilisée. Pour désinfecter le système, appliquez généreusement la solution désinfectante sur une serviette propre et essuyez complètement le système. Laissez la solution désinfectante sécher à l'air.

### En fin de semaine

1. Retirez la tête ultrasonique/JET ou l'ajutage de polissage à l'air de la pièce à main, nettoyez et stérilisez.
2. Mettez le flacon contenant l'eau propre en position « A ». Fermez le couvercle de protection et mettez le bouton de sélection en position « A ».
3. Faites marcher l'unité de détartrage ultrasonique/JET au débit d'eau maximum pendant au moins 30 secondes pour chasser hors du système tous les liquides utilisés précédemment. Mettez le bouton de sélection sur la position « Open•H<sub>2</sub>O » et ouvrez le couvercle de protection.

4. Retirez le flacon d'eau de la position « A » et mettez-le dans la position « B ». Répétez les étapes 2 & 3 pour la position « B ». Répétez les étapes 2 & 3 pour la position « B ». Retirez le flacon d'eau stérile de la position « B ».
5. Mettez un flacon vide dans la position « A », fermez le couvercle de protection et mettez le bouton de sélection sur la position « A ». Faites marcher l'unité de détartrage ultrasonique/JET au débit d'eau maximum pendant au moins 30 secondes pour purger à l'air la canalisation. Mettez le bouton de sélection sur la position « Open•H<sub>2</sub>O » et ouvrez le couvercle de protection.
6. Retirez le flacon vide de la position « A » et le mettez dans la position « B ». Répétez l'étape 5 pour la position « B ». Retirez le flacon vide de la position « B ».
7. Préparez une solution d'hypochlorite de sodium au 1:10 en ajoutant 5,25 % d'hypochlorite de sodium (NaOCl) jusqu'à la ligne indiquée sur le flacon de désinfectant. Remplissez le reste du flacon de désinfectant avec de l'eau propre. Placez le flacon de désinfectant dans la position « A ». Fermez le couvercle de protection et mettez le bouton de sélection sur la position « A ». Faites marcher l'unité de détartrage ultrasonique/JET au débit d'eau maximum pendant au moins 30 secondes jusqu'à ce que la solution s'écoule de la pièce à main.
8. Mettez le bouton de sélection sur la position « Open•H<sub>2</sub>O » et ouvrez le couvercle de protection. Retirez le flacon de désinfectant de la position « A » et mettez-le dans la position « B » et faites marcher l'unité pendant au moins 10 secondes. Mettez le bouton de sélection sur la position « Open•H<sub>2</sub>O », ouvrez le couvercle de protection et retirez le flacon de désinfectant. *N'utilisez pas le système pendant au moins 10 minutes mais pas plus de 30 minutes pour permettre à l'hypochlorite de sodium de pénétrer dans les canalisations. Une suggestion est de PLACER UN PANNEAU INDIQUANT QUE LE SYSTEME EST EN COURS DE DESINFECTATION AVEC UN DESINFECTANT PUISSANT ET QU'IL NE DOIT PAS ETRE UTILISE.*
9. Remplissez un flacon d'eau stérile, placez-le dans la position A et fermez le couvercle de protection. **TOUS LES PRODUITS CHIMIQUES DOIVENT ETRE ELIMINES DU SYSTEME PAR RINCAGE AVANT QUE LE SYSTEME NE SOIT REUTILISE POUR LE PATIENT.** Mettez le bouton de sélection en position « Open H<sub>2</sub>O » et ouvrez le couvercle de protection. Retirez le flacon de la position « A » et mettez-le dans la position « B ». Refermez le couvercle et tournez le bouton de sélection en position « B ». Faites marcher l'unité de détartrage ultrasonique/JET au débit d'eau maximum pendant au moins 30 secondes jusqu'à ce qu'il n'y ait plus d'eau ou jusqu'à ce que l'odeur d'hypochlorite de sodium disparaisse. Aucun résidu d'odeur ne doit subsister dans le système.
10. Mettez le bouton de sélection sur la position « Open•H<sub>2</sub>O » ouvrez le couvercle de protection et retirez le flacon stérile de la position « B ». Mettez le flacon vide dans la position « A », fermez le couvercle de protection et mettez le bouton de sélection sur la position « A ». Faites marcher l'unité de détartrage ultrasonique/JET pendant au moins 30 secondes au débit d'eau maximum pour purger et sécher la canalisation à l'air. A la fin du cycle, la canalisation devrait être relativement sèche.

## Section 11 : Entretien du système (suite)

---

**REMARQUE :** vider et jeter les médicaments/solutions désinfectantes des flacons toutes les semaines. Suivez les procédures de nettoyage et de stérilisation figurant dans le manuel 'Procédure de contrôle de l'infection' Cavitron (formulaire N. 81158) joint en annexe. **LES FLACONS DOIVENT ETRE UTILISES UNIQUEMENT POUR DES BESOINS DE DESINFECTION.**

### 11.2 Maintenance de routine

Important : les joints s'usent et doivent être remplacés régulièrement. Veuillez contacter votre représentant ou Cavitron Care™ pour le remplacement de la pièce No. 628051001.

## Section 12 : Dépannage

---

Toutefois, les opérations d'assistance et de réparation au système de distribution DualSelect™ doivent être effectuées par le personnel DENTSPLY [Voir Section 12.2: Information sur l'assistance technique], quelques procédures élémentaires de dépannage qui éviteront des appels inutiles auprès du service après-vente sont données ci-après.

### 12.1 Instructions de dépannage

Si le liquide désiré n'apparaît pas au niveau de la tête de détartrage ou de l'ajutage du JET après 60 secondes de fonctionnement :

1. Contrôlez tous les branchements sur le panneau dorsal du système de distribution DualSelect™ pour vérifier que les canalisations sont correctement installées.
2. Vérifiez que le bouton de sélection est sur la position appropriée.
3. Vérifiez que le flacon choisi n'est pas vide.
4. Quand l'eau du cabinet dentaire est utilisée, assurez-vous que la valve de fermeture est ouverte.

5. Vérifiez que le capuchon du flacon est bien serré.
6. Vérifiez que le niveau de liquide submerge le fond du tube interne.

### 12.2 Information sur l'assistance technique

Ce système ne contient aucun composant donnant lieu à un service après-vente. Pour tout service, veuillez vous adresser à un centre de service agréé. Pour toute assistance technique et réparation aux États-Unis, veuillez contacter Cavitron Care<sup>SM</sup> au 1-800-989-8826, du lundi au vendredi, de 8h00 à 17h00 (heure de la côte est des États-Unis). Pour les autres régions, veuillez contacter votre représentant DENTSPLY local.

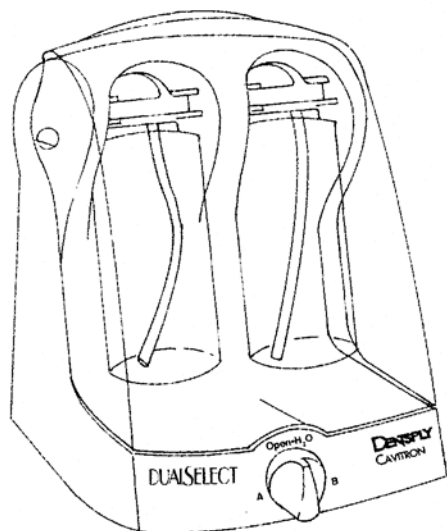
## Section 13 : Spécifications du produit

---

Pression de l'alimentation en eau du cabinet	172 414 kPa
Pression de l'alimentation en air du cabinet	448 690 kPa
Pression de sortie de lavage	207 kPa
Pression de sortie de l'air	448 690 kPa
Contenance du flacon	480 ml
Débit	15 55 ml/min.
Poids	1,9 kg
Dimensions	
Hauteur :	26,0 cm
Largeur :	20,3 cm
Profondeur :	22,9 cm
Alimentation d'air :	2,4 m
Alimentation d'eau :	2,4 m

Environnement de fonctionnement	
Température :	15 à 40 °C
Humidité relative :	30 % à 75 % (sans condensation)

Conditions de transport et de conservation	
Température :	0 à 70 °C
Humidité relative :	10 % à 95 % (sans condensation)
Pression atmosphérique :	500 à 1060 kPa



**ESPAÑOL**

## Sistema de suministro Cavitron® DualSelect™

### Mode de empleo

*Por favor lea la totalidad de las instrucciones con cuidado antes de usar la unidad.*

## Introducción

### Sistema de suministro de fluidos Cavitron® DualSelect™

Felicitaciones. Ha hecho una sabia inversión al comprar el Sistema de suministro de fluidos DualSelect™.

El Sistema de suministro de fluidos DualSelect™ ha sido diseñado para suministrar varios medicamentos y/o agua limpia por medio de los escarificadores ultrasónicos Cavitron®, sistemas Cavitron JET® y Sistemas PROPHY-JET®. El Sistema de suministro de fluidos DualSelect™ permite al usuario escoger el surtidor de fluidos que desee. Éste puede ser una de las dos botellas internas, o bien, se puede seleccionar el suministro de agua externo del consultorio como surtidor. Además, el Sistema de suministro DualSelect™ puede ser de utilidad para que el usuario cumpla con los reglamentos de los CDC (Centros para el Control y Prevención de Enfermedades de los Estados Unidos) y de las ADA (Asociación Dental Americana) puesto que ofrece la opción de suministro por vía cerrada y suministro de agua limpia.

Su sistema de suministro DualSelect™ es un producto incluido en la lista de los UL (Underwriters Laboratories).

### Asesoría técnica

Ninguna pieza de este dispositivo puede ser reparada por el usuario. Dirija todas sus consultas referentes a reparaciones a un establecimiento de reparación o servicio debidamente cualificado. Para asistencia técnica y reparaciones en los EE.UU. llame a Cavitron Care™ de 1-800-989-8826 de lunes a viernes, de 8:00 A.M. a 5:00 P.M. (Hora del Este). Para otras zonas geográficas, sírvase llamar a su representante local de DENTSPLY.

### Suministros y piezas de repuesto

Para formular pedidos de suministros o piezas de repuesto fuera de los Estados Unidos, sírvase llamar al distribuidor local de DENTSPLY o llame al número de teléfono 1-800-989-8826 de lunes a viernes, 8:00 a.m.–5:00 p.m. (hora del este). Para otras zonas geográficas, sírvase llamar a su representante local de DENTSPLY.

Sólo con receta médica.

Página web: [www.professional.dentsply.com](http://www.professional.dentsply.com)

# Índice

---

Número de la sección	Título de la sección Descripción de materias	Página
1	Indicaciones.....21 1.1 Indicaciones para procedimiento profilácticos ultrasónicos 1.2 Indicaciones para procedimiento de pulido neumático	21
2	Contraindicaciones.....21	21
3	Advertencias.....21	21
4	Precauciones generales.....21	21
5	Reacciones Adversas.....21	21
6	Control de infecciones.....22 6.1 Tarjeta de referencia para control de infecciones 6.2 Recomendaciones generales para el control de infecciones 6.3 Recomendaciones para la red de suministro de agua	22
7	Instrucciones para la instalación.....22 7.1 Información general 7.2 Desempaque del sistema 7.3 Recomendaciones y requisitos para la red de distribución del agua 7.4 Conexión de la red de distribución del agua al sistema 7.5 Preparación del sistema	22
8	Descripción de los componentes del Sistema DualSelect™.....23 8.1 Controles - Frente del sistema 8.2 Conexiones - Dorso del sistema	23
9	Accesorios.....24 9.1 Lista de accesorios 9.2 Medicamentos	24
10	Funcionamiento.....24-25 10.1 Llenado de botellas 10.2 Funcionamiento del surtidor	24-25
11	Cuidado del sistema.....25-26 11.1 Recomendaciones para el mantenimiento Al comienzo del día Entre pacientes Al final de día Al final de la semana 11.2 Mantenimiento de rutina	25-26
12	Solución de problemas.....27 12.1 Instrucciones para la solución de problemas 12.2 Asesoría técnica	27
13	Especificaciones sobre el producto.....27	27

# Sección 1: Indicaciones

---

## 1.1 Indicaciones para procedimiento profilácticos ultrasónicos

Indicado para el suministro de fluidos a las unidades de escarificación ultrasónica para procedimientos profilácticos ultrasónicos.

## 1.2 Indicaciones para procedimiento de pulido neumático

Indicado para el suministro de fluidos a las unidades de pulido neumático profiláctico para procedimientos de pulido neumático.

# Sección 2: Contraindicaciones

---

- El Sistema de suministro de fluidos DualSelect™ no está indicado para usarse con medicamentos que no se mencionen en la Sección 9.2.
- Este producto no debe utilizarse cuando sea necesaria la asepsia o el odontólogo la considere oportuna según su criterio profesional.

# Sección 3: Advertencias

---

- Al usar el Sistema de suministro de fluidos DualSelect™ en calidad de sistema de vía cerrada, evite que haya un aumento de películas orgánicas de la siguiente manera:
  1. Durante los procedimientos dentales, utilice agua contenga menos de 200 unidades formadoras de colonias/mililitro.
  2. Siga las recomendaciones de mantenimiento.
- No use el sistema a menos que la cubierta protectora esté cerrada.

# Sección 4: Precauciones generales

---

- El sistema es portátil y deberá manejarse con cuidado al transportarlo.
- Es necesario mantener el buen funcionamiento de dispositivo con lavados y purgado con aire. [*Consultar la Sección 11: Cuidado del sistema.*]
- Si se utiliza el agua del consultorio dental, cierre la válvula de suministro de agua de la unidad dental al concluir la jornada de trabajo.
- Puede haber fugas de fluidos si se abre la cubierta protectora cuando la perilla de selección está en la posición “A” o “B”.
- Algunos medicamentos pueden manchar el sistema y/o las botellas.
- Para evitar que haya un aumento en la formación de películas orgánicas, se recomienda utilizar agua limpia para purgar el sistema. [*Consultar la Sección 11: Cuidado del sistema.*]
- El sistema no ha sido diseñado para lograr esterilidad pero puede ser de utilidad para que el usuario cumpla con los reglamentos de los CDC (Centros para el Control y Prevención de Enfermedades de los Estados Unidos) y de las ADA (Asociación Dental Americana) puesto que ofrece la opción de suministro por vía cerrada y suministro de agua limpia (menos de 200 unidades formadoras de colonias/mililitro).
- Es responsabilidad del profesional odontólogo entender y cumplir con las directrices y requerimientos de la CDC, la ADA y de cualquier agencia estatal relevante.
- Este producto no debe utilizarse como sistema abierto de agua (por ejemplo, conectado al sistema público de suministro de agua) durante períodos en los que exista riesgo de contaminación del agua u otros riesgos para la salud. El odontólogo deberá interrumpir el uso en los pacientes y contactar con la empresa local de suministro de agua para averiguar si es seguro continuar con el uso de este producto. Cuando el riesgo de contaminación desaparezca, la empresa local de suministro de agua debe aconsejar al odontólogo sobre cómo purgar la red de suministro de agua. Todas las entradas de agua que provengan del sistema público de suministro (por ejemplo grifos, canalizaciones de agua o equipo odontológico) deberán ser purgadas durante un período de entre 2 y 5 minutos siguiendo las instrucciones del fabricante.

# Sección 5: Reacciones Adversas

---

No se conocen reacciones adversas.

## Sección 6: Control de infecciones

### 6.1 Información sobre el control de infecciones

Consulte la sección 11, Cuidado del sistema, para ver las recomendaciones para el mantenimiento diario, entre pacientes y al final de la semana.

### 6.2 Recomendaciones generales para el control de infecciones

Como en todo procedimiento dental, use equipo de protección personal estándar (por ejemplo, mascarilla, gafas o careta de protección, guantes y guardapolvo protector).

### 6.3 Recomendaciones para la red de suministro de agua

El sistema de suministro DualSelect, al formar parte de un sistema de suministro de agua, deberá instalarse y mantenerse correctamente siguiendo las Instrucciones para la instalación (Sección 7) y el Cuidado del sistema (Sección 11) así como la Tarjeta de referencia para el control de infecciones que se adjunta por separado, y en conformidad con toda directriz o regulación aplicable sobre la calidad del agua. Se recomienda muy especialmente que todos los sistemas de suministro de agua para uso dental cumplan con las normas de los Centros para el Control y Prevención de Enfermedades de los Estados Unidos (CDC) y de la Asociación Dental Estadounidense (ADA), y que se sigan todas las recomendaciones en cuanto al purgado, el purgado de sustancias químicas y los procedimientos generales para el control de infecciones. Consulte las secciones 7.3 y 11. El operario es responsable de conocer y de cumplir las directrices y regulaciones aplicables sobre la calidad del agua (por ejemplo, de la CDC, ADA o la norma EN 1717).

## Sección 7: Instrucciones para la instalación

### 7.1 Información general

- El Sistema de suministro de fluidos DualSelect™ deberá conectarse al suministro de aire del consultorio y puede conectarse a la red de suministro de agua externa del consultorio.
- Si la persona que instala el Sistema de suministro de fluidos DualSelect™ no es un representante autorizado de DENTSPLY, se deberá tomar precaución, seguir las recomendaciones y satisfacer los requisitos siguientes .

### 7.2 Desempaque del sistema

- Abra cuidadosamente el empaque del Sistema de suministro de fluidos DualSelect™ y cerciórese de que se hayan incluido todos los componentes y accesorios:

<u>CANTIDAD</u>	<u>PRODUCTO</u>
1	Unidad de suministro de fluidos DualSelect™ con mangueras de agua y aire, y dispositivos de desconexión rápida.
2	Unidades completas de botellas y 2 tapones de almacenamiento
1	Unidad completas de botellas desinfectante y tapon de almacenamiento
1	Paquete informativo

### 7.3 Recomendaciones y requisitos para la red de distribución del agua

- La presión de la red de distribución del agua externa del consultorio que entrará al sistema deberá ser de 172 a 414 kPa. Si la presión de la red de distribución del agua es mayor de 414 kPa, se deberá instalar un regulador de presión hidráulica.
- Cierra la válvula manual en la red de suministro de agua dental del sistema cuando el consultorio esté cerrado.
- Se puede instalar un filtro en la red de suministro de agua dental del sistema para evitar que cualquier partícula en dicho suministro entre en el sistema.

- Antes de conectar el suministro de agua dental al Sistema de suministro de fluidos DualSelect™ se deberán purgar perfectamente todas las vías de suministro. [Consultar la Sección 11: Cuidado del sistema.]

### 7.4 Conexión de la red de distribución del agua al sistema

- Enjuague la vía de suministro de agua para librarla de contaminantes.
- Cierra la válvula manual en la red de suministro de agua.
- Conecte la manguera de agua del DualSelect™ (azul) la red de suministro de agua externa del consultorio.
- Abra la válvula manual en la red de suministro de agua y revise todas las conexiones para determinar si hay fugas.

**NOTA: Par usarlo en calidad de sistema de vía cerrada, retire totalmente la manguera de agua del DualSelect™.**

### 7.5 Preparación del sistema

- Coloque el sistema en una superficie estable o colóquelo sobre el escarificador ultrasónico Cavitron SPS™ o Sistema combinado Cavitron JET SPS.
- Asegúrese de que la unidad de escarificación ultrasónica esté apagada.
- Cierra la cubierta protectora y gire la perilla de selección a la posición “Open•H<sub>2</sub>O”.
- Conecte el suministro de aire y de agua del consultorio a las entradas correctas para aire y agua en el Sistema de suministro de fluidos DualSelect™. (Consultar la nota).
- Conecte el suministro de aire y de agua del escarificador ultrasónico/JET (si fuera pertinente) a las mangueras de salida de agua y de aire del DualSelect™.

**NOTA: Par usarlo en calidad de sistema de vía cerrada, retire totalmente la manguera de agua del DualSelect™.**

# Sección 8: Descripción de los componentes del Sistema .

## DualSelect™

### 8.1 Controles - Frente del sistema

Cubierta protectora  
(posición cerrada)

- Esta cubierta protectora deberá estar cerrada para recibir fluido de las botellas "A" o "B".
- Al abrir la cubierta protectora se libera la presión de las botellas y esto permite extraer o colocar las botellas. Para poder extraerlas, la perilla de selección deberá estar en la

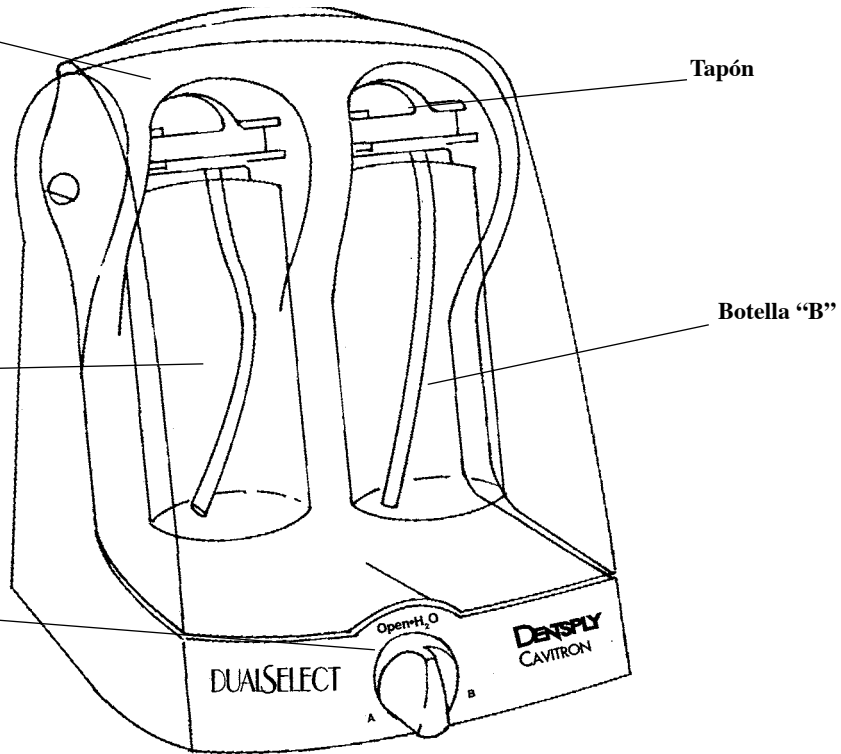
Botella "A"

Tapón

Botella "B"

Perilla de selección

- Permite seleccionar entre botella "A" y "B" y la posición "Open•H<sub>2</sub>O", que es el suministro de agua del consultorio.



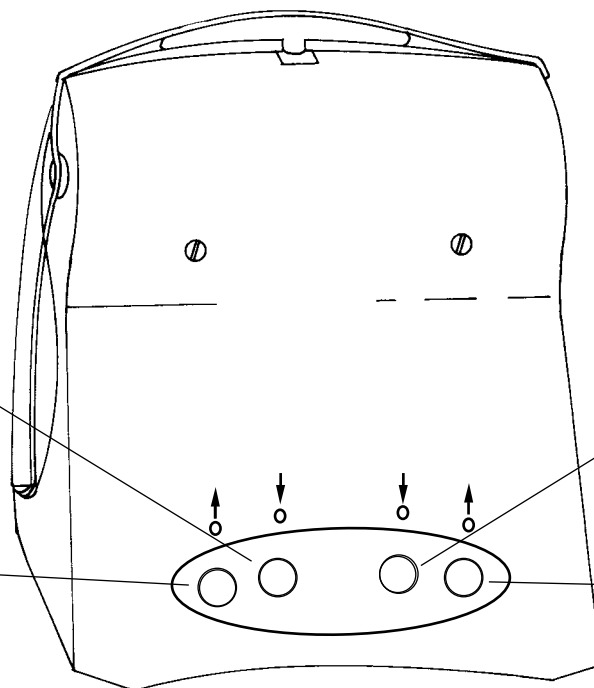
### 8.2 Conexiones - Dorso del sistema

Aire (entrada)  
Conecte la manguera de aire (gris) DualSelect™ al suministro de aire del consultorio.

Aire (salida)  
Conecte la manguera de aire del escarificador/JET a este puerto.

H<sub>2</sub>O (entrada)  
Conecte la manguera de agua (azul) del DualSelect™ al suministro de agua externo del consultorio.

Lavado (salida)  
Conecte la manguera de agua del escarificador/JET a este puerto.



NOTA: Par usarlo en calidad de sistema de vía cerrada, retire totalmente la manguera de agua del DualSelect™.



## Sección 9: Accesorios

### 9.1 Lista de accesorios\*

1. El juego de accesorios incluye dos unidades completas de botellas y 2 tapones de almacenamiento.
2. Unidad completas de botella de desinfectante y tapón de almacenamiento.
3. Cubierta protectora.
4. Solución antimicrobiana para irrigación ProSol® CHX.

\* Para información más detallada, sírvase comunicarse con su distribuidor local de DENTSPLY.

### 9.2 Medicamentos

Los siguientes medicamentos pueden utilizarse con el Sistema de suministro de fluidos DualSelect™.

- Gluconato de clorhexidina 0,12 %
- Cloruro de cetilpiridinio (Cepacol®)
- Aceites esenciales (Listerine®)
- Agua oxigenada, peróxido al 3%
- Yodo-povidona, solución al 10%
- Solución salina
- Extraco de sanguinaria (Viadent®)
- Agua limpia, U.S.P. (Farmacopea de los Estados Unidos)  
(para irrigación y mantenimiento del sistema)

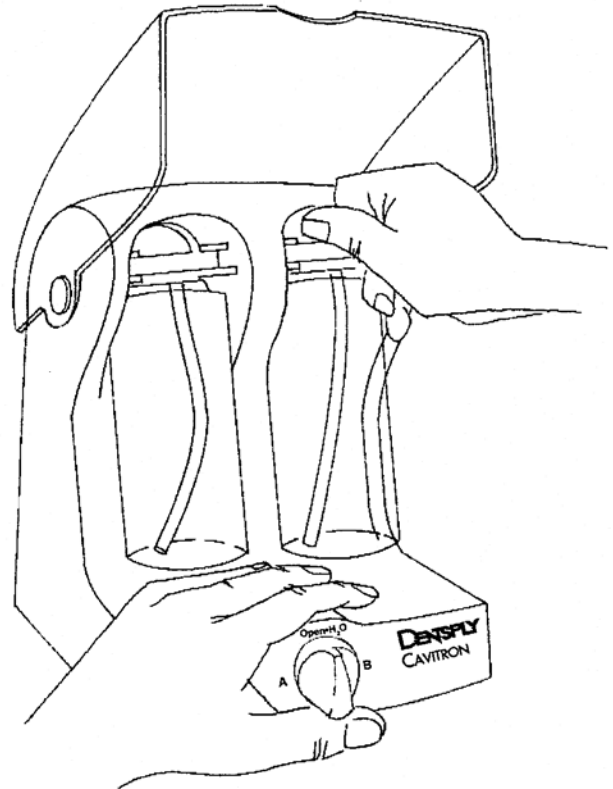
**NOTA:** El uso prolongado de polividona yodada sin que haya una inyección de agua adecuada después, disminuirá la vida útil de su DualSelect™.

## Sección 10: Funcionamiento

### 10.1 Llenado de botellas

- Gire la perilla de selección a la posición “Open•H<sub>2</sub>O”. Levante la cubierta protectora lentamente y con cuidado hasta que quede totalmente abierta.
- Al abrir la cubierta protectora se libera la presión de las botellas. El sonido de la liberación de la presión de aire es normal.
- Extraiga las botellas según indica la figura. Tire del asidero del tapón con una mano mientras sujeta la base de Sistema de suministro de fluidos DualSelect™ con la otra mano. Extraiga la botella en posición paralela a la base del sistema.
- Gire el tapón para abrirlo; retírelo y colóquelo en posición invertida sobre un área limpia para evitar que el tubo de evacuación se contamine.
- Llene la botella al nivel deseado y tápela nuevamente.
- Asegúrese de que el tapón esté firmemente cerrado para evitar fugas de aire.
- Coloque la botella en el dispositivo alineando el tapón con las pestañas-guía y empuje el tapón hasta que entre en los enganches. Los enganches están sueltos para permitir alinear las botellas durante la colocación. Ambas aperturas en el tapón deberán estar alineadas sobre los enganches mancho.
- Cierra la cubierta protectora.

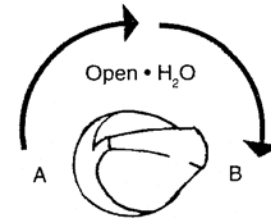
El sistema está listo para su uso.



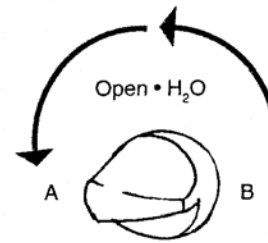
### 10.2 Funcionamiento del surtidor

- Encienda el escafricador/JET. El flujo de fluidos Sistema de suministro de fluidos DualSelect™ se regula con el control de agua del escafricador ultrasónico y de los Sistemas Cavitron JET® o PROPHY-JET®.
- Gire la perilla de selección a la posición deseada: botella “A”, “Open•H<sub>2</sub>O” o botella “B”. La perilla de selección puede girarse únicamente 180° de la posición “A” a la “B”, o de la posición “B” a la “A”, pasando por la posición “Open•H<sub>2</sub>O”. (Consultar la ilustración a la derecha)
- El escafricador/JET conectado al Sistema DualSelect™ está listo para recibir el fluido del surtido seleccionado.
- Al cambiar entre las botellas “A” y “B”, permita que transcurran 30 segundos para que el nuevo fluido salga del irrigador bucal.
- Para utilizar el agua del consultorio, gire la perilla de selección a la posición “Open•H<sub>2</sub>O”.

**NOTA:** Si se utiliza en calidad de sistema de vía cerrada, no saldrá agua del sistema en la posición “Open•H<sub>2</sub>O” debido a que no se ha conectado el suministro de agua externa al Sistema DualSelect™. Para recibir fluidos, se deberá colocar la perilla de selección en la posición “A” o “B”.



”A” a ”B”



”B” a ”A”

## Sección 11: Cuidado del sistema

### 11.1 Recomendaciones para el mantenimiento

#### Al comienzo del día

1. Coloque la botella con agua limpia en la posición “A”.
2. Cierre la cubierta protectora y gire la perilla de selección a la posición “A”.
3. Haga funcionar el escafricador ultrasónico/JET al flujo máximo de agua durante un minuto por lo menos, conforme a las normas de los CDC (Centros para el Control y Prevención de Enfermedades).
4. Gire la perilla de selección a la posición “Open•H<sub>2</sub>O”.
5. Levante la cubierta protectora, extraiga la botella de la posición “A” y colóquela en la posición “B”. Repita los pasos 2 y 3 en la posición “B”.
6. Abra la cubierta protectora y extraiga la botella de la posición “B”.
7. Coloque la botella con agua limpia/medicamento en una o ambas posiciones. Cierre la cubierta protectora y gire la perilla de selección a la posición deseada.
8. Coloque una boquilla recientemente esterilizada en el irrigador bucal.
9. La unidad está lista para utilizarse.

#### Entre pacientes

1. Retire la boquilla ultrasónica/JET o la boquilla para pulido neumático del irrigador bucal, límpiela y esterilícela.
2. Coloque la botella con agua limpia en la posición “A”. Cierre la cubierta protectora y gire la perilla de selección a la posición “A”.

3. Haga funcionar el escafricador ultrasónico/JET al flujo máximo de agua durante 30 segundos por lo menos, conforme a las normas de los CDC (Centros para el Control y Prevención de Enfermedades) para purgar del sistema todos los fluidos usados con anterioridad.
4. Gire la perilla de selección a la posición “Open•H<sub>2</sub>O” y abra la cubierta protectora. Retire la botella con agua limpia en la posición “A” y colóquela en la posición “B”. Repita los pasos 2 y 3 en la posición “B”. Gire la perilla de selección a la posición “Open•H<sub>2</sub>O”, abra la cubierta protectora y extraiga la botella con agua limpia de la posición “B”.
5. Limpie y desinfecte todas las superficies del Sistema de suministro de fluidos DualSelect™ y sus accesorios con una solución desinfectante de no inmersión aprobada. Siga cuidadosamente todas las instrucciones provistas por el fabricante del producto desinfectante. Para limpiar el sistema, rocíe generosamente con la solución desinfectante una toalla limpia y limpie toda la unidad. Deseche la toalla usada. Para desinfectar el sistema, rocíe generosamente con la solución desinfectante una toalla limpia y limpie toda la unidad. Permita que la solución desinfectante se seque al aire.
6. Coloque la botella con agua limpia/medicamento en una o ambas posiciones. Cierre la cubierta protectora y gire la perilla de selección a la posición deseada.
7. Coloque una boquilla recientemente esterilizada en el irrigador bucal.
8. La unidad está lista para utilizarse.

**NOTA:** Es preferible usar soluciones desinfectantes de agua. Algunas soluciones de alcohol pueden ser dañinas y decolorar materiales plásticos.

## Sección 11: Cuidado del sistema (cont.)

### Al final del día

1. Retire la boquilla ultrasónica/JET o la boquilla para pulido neumático del irrigador bucal, límpiela y esterilícela.
2. Coloque la botella con agua limpia en la posición "A". Cierre la cubierta protectora y gire la perilla de selección a la posición "A".
3. Haga funcionar el escarificador ultrasónico/JET al flujo máximo de agua durante 30 segundos por lo menos para purgar del sistema todos los fluidos usados con anterioridad.
4. Gire la perilla de selección a la posición "Open•H<sub>2</sub>O" y abra la cubierta protectora. Extraiga la botella con agua limpia de la posición "A" y colóquela en la posición "B". Repita los pasos 2 y 3 en la posición "B". Gire la perilla de selección a la posición "Open•H<sub>2</sub>O", abra la cubierta protectora y extraiga la botella con agua limpia.
5. Coloque una botella vacía en la posición "A" y cierre la cubierta protectora. Gire la perilla de selección a la posición "A" y haga funcionar el escarificador ultrasónico/JET al flujo máximo de agua durante 30 segundos para purgar con aire la manguera. Gire la perilla de selección a la posición "Open•H<sub>2</sub>O" y abra la cubierta protectora.
6. Extraiga la botella vacía de la posición "A" y colóquela en la posición "B". Repita el paso 5 en la posición "B". Gire la perilla de selección a la posición "Open•H<sub>2</sub>O", abra la cubierta protectora y extraiga la botella vacía de la posición "B". Al final del ciclo, la manguera deberá estar relativamente seca.
7. Limpie y desinfecte todas las superficies del Sistema de suministro de fluidos DualSelect™ y sus accesorios con una solución desinfectante de no inmersión que cuente con la aprobación de las leyes nacionales vigentes. Siga cuidadosamente todas las instrucciones provistas por el fabricante del producto desinfectante. Para limpiar el sistema, rocíe generosamente con la solución desinfectante una toalla limpia y limpie toda la unidad. Deseche la toalla usada. Para desinfectar el sistema, rocíe generosamente con la solución desinfectante una toalla limpia y limpie toda la unidad. Permita que la solución desinfectante se seque al aire.

### Al final de la semana

1. Retire la boquilla ultrasónica/JET o la boquilla para pulido neumático del irrigador bucal, límpiela y esterilícela.
2. Coloque la botella con agua limpia en la posición "A". Cierre la cubierta protectora y gire la perilla de selección a la posición "A".
3. Haga funcionar el escarificador ultrasónico/JET al flujo máximo de agua durante 30 segundos por lo menos para purgar del sistema todos los fluidos usados con anterioridad. Gire la perilla de selección a la posición "Open•H<sub>2</sub>O" y abra la cubierta protectora.
4. Extraiga la botella con agua de la posición "A" y colóquela en la posición "B". Repita los pasos 2 y 3 en la posición "B". Extraiga la botella con agua limpia de la posición "B".
5. Coloque una botella vacía en la posición "A" y cierre

la cubierta protectora gire la perilla de selección a la posición "A". Haga funcionar el escarificador ultrasónico/JET al flujo máximo de agua durante 30 segundos para purgar con aire la manguera. Gire la perilla de selección a la posición "Open•H<sub>2</sub>O" y abra la cubierta protectora.

6. Extraiga la botella vacía de la posición "A" y colóquela en la posición "B". Repita el paso 5 en la posición "B". Extraiga la botella vacía de la posición "B".
7. Prepare una solución de 1:10 de hipoclorito de sodio (NaOCl) llenando la botella de desinfectante con 5,25% de hipoclorito de sodio hasta el nivel indicado. Llene el resto de la botella de desinfectante con agua limpia. Coloque la botella de desinfectante en la posición "A". Cierre la cubierta protectora y gire la perilla de selección a la posición "A". Haga funcionar el escarificador ultrasónico/JET al flujo máximo de agua durante 30 segundos por lo menos, hasta que la solución salga por el irrigador bucal.
8. Gire la perilla de selección a la posición "Open•H<sub>2</sub>O" y abra la cubierta protectora. Extraiga la botella de desinfectante de la posición "A" y colóquela en la posición "B". Cambie la perilla de selección a la posición "B" y haga funcionar el sistema durante 10 segundos por lo menos. Gire la perilla de selección a la posición "Open•H<sub>2</sub>O", abra la cubierta protectora y extraiga la botella de desinfectante. *Deje que la unidad repose sin perturbar durante 10 minutos por lo menos, pero no la deje más de 30 minutos, para permitir que la solución de hipoclorito de sodio se impregne en las mangueras. Como recomendación, PONGA UN LETRERO QUE INDIQUE QUE EL SISTEMA ESTÁ SIENDO DESINFECTADO CON UN FUERTE DESINFECTANTE Y NO DEBERÁ USARSE.*
9. Llene una botella con agua limpia, colóquela en la posición "A" y cierre la cubierta protectora. Gire la perilla de selección a la posición "A". Haga funcionar el escarificador ultrasónico/JET al flujo máximo de agua durante 30 segundos por lo menos o hasta que el olor de hipoclorito de sodio desaparezca. SE DEBERÁN PURGAR TODAS LAS SUSTANCIAS QUÍMICAS DEL SISTEMA ANTES DE QUE SE PUEDA VOLVER A UTILIZAR EN PACIENTES. Gire la perilla de selección a la posición "Open•H<sub>2</sub>O" y abra la cubierta protectora. Extraiga la botella de la posición "A" y colóquela en la posición "B". Cierre la cubierta protectora y gire la perilla de selección a la posición "B". Haga funcionar el escarificador ultrasónico/JET al flujo máximo de agua durante 30 segundos por lo menos o hasta que el olor de hipoclorito de sodio desaparezca. No deberá haber olor residual alguno en el sistema.
10. Gire la perilla de selección a la posición "Open•H<sub>2</sub>O", abra la cubierta protectora y extraiga la botella con agua limpia de la posición "B". Vuelva a colocar la botella vacía en la posición "A", cierre la cubierta protectora y gire la perilla de selección a la posición "A". Haga funcionar el escarificador ultrasónico/JET al flujo máximo de agua durante 30 segundos por lo menos para purgar la manguera con aire y secarla. Gire la perilla de selección a la posición "Open•H<sub>2</sub>O" y extraiga la botella de la posición "A" y colóquela en la posición "B". Haga funcionar el escarificador ultrasónico/JET al flujo

## Sección 11: Cuidado del sistema (cont.)

---

máximo de agua durante 30 segundos por lo menos para purgar la manguera con aire y secarla. Al final del ciclo, la manguera deberá estar relativamente seca.

**NOTA: Vacíe y deseche todos los medicamentos/soluciones desinfectantes de las botellas semanalmente. Siga los procedimientos de limpieza y esterilización especificados en el folleto sobre Procedimientos de Control de Infecciones Cavitron (hoja n.º. 81158) que le ha sido proporcionado. LAS BOTELLAS DE DESINFECTANTE DEBEN UTILIZARSE ÚNICAMENTE PARA PROPÓSITOS DE DESINFECCIÓN.**

## Sección 12: Solución de problemas

---

Aunque el servicio y reparación del sistema de suministro DualSelect™ debería realizarla el personal de DENTSPLY [*Consultar la Sección 12.2: Asesoría técnica.*], los siguientes con procedimientos básico para solucionar problemas que evitarán que se llame un técnico innecesariamente.

### 12.1 Instrucciones para la solución de problemas

Si no se logra que el líquido deseado salga por el irrigador bucal vacío después de hacer funcionar la unidad durante 60 segundos:

1. Revise todas las conexiones en el panel posterior del Sistema de suministro de fluidos DualSelect™ para verificar que todas las mangueras estén debidamente instaladas.
2. Verifique que la perilla de selección esté en la posición correcta.
3. Verifique que la botella seleccionada no esté vacía.
4. Cuando se utiliza el agua del consultorio, verifique que la válvula esté abierta.

### 11.2 Mantenimiento de rutina

Importante: Los anillos O se desgastan y deben sustituidos en forma habitual. Para solicitar la pieza de repuesto n.º 628051001, sírvase llamar a su representante local de Cavitron Care™.

5. Verifique que el tapón de la botella esté debidamente cerrado.
6. Verifique que el nivel de fluido sea más alto que el fondo del tubo interno.

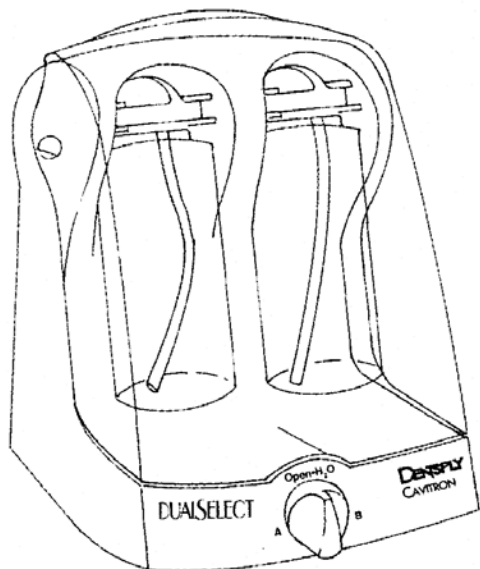
### 12.2 Asesoría técnica

Ninguna pieza de este dispositivo puede ser reparada por el usuario. Dirija todas sus consultas referentes a reparaciones a un establecimiento de reparación o servicio debidamente cualificado. Si necesita asesoría técnica o reparaciones fuera de los Estados Unidos, sírvase llamar a Cavitron Care<sup>SM</sup> al 1-800-989-8826 de lunes a viernes, de 8:00 a.m. a 5:00 p.m. (hora del este). Para otras zonas geográficas, sírvase llamar a su representante local de DENTSPLY.

## Sección 13: Especificaciones sobre el producto

---

Presión de entrada del agua	172 – 414 kPa
Presión de entrada del aire	448 – 690 kPa
Presión del salida del lavado	207 kPa
Presión del salida del aire	448 – 690 kPa
Capacidad del frasco	480 ml
Índice de flujo	15 – 55 ml/min.
Peso	1.9 kg
Dimensiones	
Altura:	26,0 cm
Ancho:	20,3 cm
Espesor:	22,9 cm
Manguera de suministro de aire:	2,4 m
Manguera de suministro de agua:	2,4 m
Ambiente operative	
Temperatura:	15 a 40° C
Humedad relativa:	30% a 75% (no condensante)
Condiciones de transporte y almacenamiento	
Temperatura:	0 a 70° C
Humedad relativa:	10% a 95% (no condensante)
Presión atmosférica:	500 a 1060 kPa



**DEUTSCH**

**Cavitron®**  
**DualSelect™**  
**Strahlabgabegerät**

---

**Gebrauchsanweisung**

*Bitte vor Inbetriebnahme des Geräts  
sorgfältig und vollständig durchlesen.*

---

## Einführung

---

### Cavitron® DualSelect™ Strahlabgabegerät

Herzlichen Glückwunsch. Der Kauf Ihres DualSelect™-Strahlabgabegeräts war eine kluge Investition.

Das DualSelect™-Strahlabgabegerät dient zur Abgabe von Arzneimitteln und/oder reinigem Wasser mittels Cavitron®-Ultraschall-Zahnsteinschaber, Cavitron JET®-Geräte und PROPHY-JET®-Geräte. Das Cavitron® DualSelect™-Gerät erlaubt dem Anwender die Wahl zwischen zwei internen Flaschen oder einer externen Wasserleitung in der Zahnarztpraxis als Quelle für die Flüssigkeitsversorgung. Das Cavitron® DualSelect™-Strahlabgabegerät kann außerdem zur Einhaltung der Richtlinien der CDC (Centers for Disease Control and Prevention) und der ADA (American Dental Association) beitragen, indem die Möglichkeit einer geschlossenen Leitung angeboten und reines Wasser abgegeben wird.

Das DualSelect™-Strahlabgabegerät entspricht den UL-Richtlinien (Underwriters Laboratories).

### Technische Unterstützung

Dieses Gerät besitzt keine wartungsbedürftigen Teile. Bitte jegliche Wartung an eine qualifizierte Wartungsstelle weiterleiten. Für technische Unterstützung und Reparaturhilfe in den U.S.A. wenden Sie sich bitte an Cavitron Care<sup>SM</sup> unter der Nummer 1-800-989-8826, Montag bis Freitag von 8.00 bis 17.00 Uhr (ostamerikanische Zeit). Außerhalb der USA wenden Sie sich bitte an den örtlichen DENTSPLY-Vertreter.

### Zubehör und Ersatzteile

Zur Bestellung von Zubehör oder Ersatzteilen in den USA wenden Sie sich bitte an Ihr zuständiges DENTSPLY-Vertriebsunternehmen oder rufen Sie die 1-800-989-8826 an (Mo.–Fr. zwischen 8.00 und 17.00 Uhr US-Ostküstenzeit). Außerhalb der USA wenden Sie sich bitte an den örtlichen DENTSPLY-Vertreter.

Nur auf Verschreibung

Website: [www.professional.dentsply.com](http://www.professional.dentsply.com)

# Inhaltsverzeichnis

---

<b>Kapitel Nr.</b>	<b>Kapitelüberschrift Inhaltsbeschreibung</b>	<b>Seite Nr.</b>
1	Indikationen ..... 1.1 Indikationen für Ultraschallverfahren zur Prophylaxe 1.2 Indikationen für Airpolishing-Verfahren	30
2	Kontraindikationen .....	30
3	Warnhinweise .....	30
4	Allgemeine Vorsichtsmaßnahmen .....	30
5	Nebenwirkungen .....	30
6	Infektionskontrolle..... 6.1 Kurzinformation zur Infektionskontrolle 6.2 Empfehlungen zur allgemeinen Infektionskontrolle 6.3 Empfehlungen zur Frischwasserversorgung	31
7	Anweisungen zur Installierung..... 7.1 Allgemeine Informationen 7.2 Auspacken des Geräts 7.3 Anforderungen und Empfehlungen in bezug auf die Wasserleitung 7.4 Anschluß des Geräts an die Wasserversorgung 7.5 Einrichtung des Geräts	31
8	Beschreibung der Bauteile des DualSelect™-Geräts ..... 8.1 Gerätekontrollen - Vorderseite 8.2 Anschlüsse - Rückseite	32
9	Zubehör ..... 9.1 Zubehörliste 9.2 Arzneimittel	33
10	Betrieb ..... 10.1 Füllen der Flaschen 10.2 Betrieb des Strahlabgabegeräts	33-34
11	Pflege des Geräts..... 11.1 Empfohlene Wartung Zu Beginn des Tages Zwischen Patienten Zum Abschluß des Tages Zum Abschluß der Woche 11.2 Routinemäßige Wartung	34-36
12	Fehlersuche..... 12.1 Anweisungen zur Fehlersuche 12.2 Kundendienstinformation	36

# Kapitel 1: Indikationen

---

## 1.1 Indikationen für Ultraschallverfahren zur Prophylaxe

Indiziert zur Flüssigkeitsabgabe an Ultraschall-Zahnsteinschaber bei Ultraschallverfahren zur Prophylaxe.

## 1.2 Indikationen für Airpolishing-Verfahren

Indiziert zur Flüssigkeitsabgabe an Airpolishing-Prophylaxegeräte bei Airpolishing-Verfahren.

# Kapitel 2: Kontraindikationen

---

- Das DualSelect™-Strahlabgabegerät ist nur zur Verwendung mit den in Kapitel 9.2 aufgeführten Arzneimitteln indiziert.
- Ist Aseptik erforderlich oder gemäß des fachkundigen Ermessens des Zahnarztes oder Zahnarzthelfers angemessen, sollte dieses Produkt nicht zum Einsatz kommen.

# Kapitel 3: Warnhinweise

---

- Bei Verwendung des DualSelect™-Strahlabgabegeräts als geschlossenes System ist die zunehmende Bildung von Biofilm wie folgt zu vermeiden:
  1. Verwendung von Wasser mit weniger als 200 koloniebildenden Einheiten pro Milliliter während zahnmedizinischer Verfahren.
  2. Einhaltung der empfohlenen Wartungsmaßnahmen.
- Gerät nur bei geschlossener Abdeckung benutzen.

# Kapitel 4: Allgemeine Vorsichtsmaßnahmen

---

- Das Gerät ist tragbar und muß während des Transports mit Vorsicht gehandhabt werden.
- Die Wartungsmaßnahmen zum Spülen des Geräts und zum Luftausblasen sind erforderlich [*Siehe Kapitel 11, Pflege des Geräts*].
- Wenn Wasser aus der Zahnarztpraxis verwendet wird, ist der Wasserabsperrhahn des Geräts am Ende des Arbeitstages zu schließen.
- Wenn die Abdeckung geöffnet ist und der Wahlschalter auf Position „A“ oder „B“ steht, kann es zum Auslaufen von Flüssigkeit kommen.
- Einige Arzneimittel können eine Verfärbung des Geräts und/oder der Flaschen verursachen.
- Zur Vermeidung zunehmender Biofilmbildung wird die Verwendung reinigen Wassers zum Spülen des Geräts empfohlen [*Siehe Kapitel 11, Pflege des Geräts*].
- Das Gerät dient nicht zur Sicherstellung einer sterilen Umgebung, kann jedoch zur Einhaltung der Richtlinien der CDC (U.S. Centers for Disease Control and Prevention) und der ADA (American Dental Association) beitragen, indem die Möglichkeit einer geschlossenen Leitung angeboten und reines Wasser abgegeben wird (weniger als 200 koloniebildende Einheiten pro Milliliter).
- Es obliegt der Verantwortung von Zahnärzten und Zahnarzthelfern, mit den CDC-, ADA- und anderen zutreffenden behördlichen Richtlinien und Erfordernissen vertraut zu sein und diese einzuhalten.
- Im Falle von behördlichen Warnungen, Frischwasser vor dem Gebrauch abzukochen, sollte dieses Produkt nicht als offenes Wassersystem (z.B.: an ein öffentliches Wasserversorgungsnetz angeschlossen) eingesetzt werden. Zahnärzte und Zahnarzthelfer sollten in diesem Fall von einem Gebrauch an Patienten Abstand nehmen und die örtlichen Wasserwerke kontaktieren, um sicherzustellen, ab welchem Zeitpunkt das Produkt erneut eingesetzt werden kann. Nach einer diesbezüglichen Entwarnung sollten seitens der örtlichen Wasserwerke Richtlinien für das Durchspülen der Wasserleitungen zur Verfügung gestellt werden. Alle Zufuhrleitungen von der öffentlichen Frischwasserversorgung zur Zahnarztpraxis (z.B.: Wasserhöhe, Wasserleitungen und zahnärztliche Apparate) sollten gemäß der Herstelleranweisungen 2 bis 5 Minuten lang durchgespült werden.

# Kapitel 5: Nebenwirkungen

---

Es sind keine Nebenwirkungen bekannt.

# Kapitel 6: Infektionskontrolle

---

## 6.1 Information zur Infektionskontrolle

Information zur täglichen Wartung und Pflege, zur Pflege zwischen Patienten und am Ende der Arbeitswoche erhalten Sie in Kapitel 10 zur Gerätepflege.

## 6.2 Empfehlungen zur allgemeinen Infektionskontrolle

Wie bei allen zahnmedizinischen Verfahren ist standardmäßige Schutzausrüstung zu verwenden (d.h. Gesichtsmaske und Augenschutz oder Gesichtsabdeckung, Gummihandschuhe und Schutzkleidung tragen)

## 6.3 Empfehlungen zur Frischwasserversorgung

Das DualSelect Spender-System muss, als Teil des Wasserversorgungssystems für das zahnmedizinische Gerät, ordnungsgemäß installiert und gewartet werden, in Übereinstimmung mit den Installationsanweisungen (Kapitel 7), der Gerätepflege (Kapitel 11) und den separat mitgelieferten Kurzinformationen zur Infektionskontrolle und in Übereinstimmung mit den zutreffenden Richtlinien und Bestimmungen für Wasserqualität. Es wird nachdrücklich empfohlen, ausschließlich solche Wasserversorgungssysteme für Ihr zahnmedizinisches System zu verwenden, die alle geltenden Normen der jeweils zuständigen Gesundheitsbehörden und Zahnärzteverbände erfüllen, sowie allen Empfehlungen hinsichtlich des Spülens und den allgemeinen Verfahren zur Infektionskontrolle Folge zu leisten. Siehe Abschnitt 7.3 und 11. Es obliegt der Verantwortung von Zahnärzten und Zahnarzthelfern, mit zutreffenden Richtlinien und Erfordernissen (z.B. CDC, ADA und EN 1717) für Wasserqualität vertraut zu sein und diese einzuhalten.

# Kapitel 7: Anweisungen zur Installierung

---

## 7.1 Allgemeine Informationen

- Das DualSelect™-Strahlabgabegerät muß an die Luftversorgung der Zahnarztpraxis angeschlossen werden; Anschluß an die externen Wasserleitungen der Zahnarztpraxis ist freigestellt.
- Wird die Installierung des DualSelect™-Strahlabgabegeräts nicht von einem autorisierten DENTSPLY -Vertreter durchgeführt, ist darauf zu achten, daß die folgenden Anforderungen und Empfehlungen erfüllt werden.

## 7.2 Auspacken des Geräts

- Packen Sie Ihr DualSelect™-Strahlabgabegerät vorsichtig aus und überprüfen Sie, daß alle Bauteile und sämtliches Zubehör vorhanden ist:

<u>ANZAHL</u>	<u>ARTIKEL</u>
1	DualSelect™-Strahlabgabegerät mit Luft- und Wasserleitungen und Schnelltrennverschlüssen
2	Flaschen und 2 Verschlüsse zur Lagerung
1	Flasche für Desinfektionsmittel und Verschluß zur Lagerung
1	Beutel mit Referenzmaterial

## 7.3 Anforderungen und Empfehlungen in bezug auf die Wasserleitung

- Der Druck in der Wasserleitung der Zahnarztpraxis muß zwischen 172 und 414 kPa betragen. Ist der Wasserleitungsdruck größer als 414 kPa, ist die Installierung eines Wasserdruckreglers angeraten.
- Das manuelle Absperrventil an der Wasserversorgungsleitung in der Zahnarztpraxis muß geschlossen werden, wenn sich niemand in der Praxis aufhält.
- Um zu verhindern, daß im Wasser befindliche Partikel das Gerät erreichen, kann ein Filter im Wasserversorgungssystem der Zahnarztpraxis installiert werden.
- Vor dem Anschluß an das DualSelect™-Strahlabgabegerät sind sämtliche Leitungen gründlich durchzuspülen [Siehe Kapitel 11, Pflege des Geräts].

## 7.4 Anschluß des Geräts an die Wasserversorgung

- Verunreinigungen in der Eingangswasserleitung durch Ausspülen entfernen.
- Das manuelle Absperrventil an der externen Wasserversorgungsleitung schließen.
- Die (blaue) Wasserleitung des DualSelect™-Strahlabgabegeräts an die externe Wasserversorgungsleitung der Praxis anschließen.
- Das manuelle Absperrventil an der externen Wasserversorgungsleitung öffnen und alle Anschlüsse auf undichte Stellen überprüfen.

**HINWEIS: Für den Betrieb bei geschlossenem System wird die Wasserleitung des DualSelect™-Strahlabgabegeräts vollständig entfernt.**

## 7.5 Einrichtung des Geräts

- Das Gerät ist auf einer stabilen Fläche aufzustellen; es kann auch auf einem Cavitron SPS™-Ultraschallgerät oder einem Cavitron® JET SPS kombinationseinheit platziert werden.
- Darauf achten, daß das Ultraschallgerät abgeschaltet ist.
- Abdeckung schließen und den Wahlschalter auf Position „Open•H<sub>2</sub>O“ stellen.
- Die Luft- und Wasserleitungen der Praxis an die entsprechenden Luft- und Wassereingänge des DualSelect™-Strahlabgabegeräts anschließen. (Siehe Hinweis)
- Ultraschall-Zahnsteinschaber/JET-Luftleitung (falls verwendet) und Wasserleitung an die Luft- und Wasserausgänge des DualSelect™-Strahlabgabegeräts anschließen.

**HINWEIS: Für den Betrieb bei geschlossenem System wird die Wasserleitung des DualSelect™-Strahlabgabegeräts vollständig entfernt.**



# Kapitel 8: Beschreibung der Bauteile des DualSelect™-Geräts

## 8.1 Gerätekontrollen - Vorderseite

### Abdeckung

(geschlossene Position)

- Die Abdeckung muß geschlossen sein, damit Flüssigkeit von Flasche „A“ oder „B“ erhalten werden kann.
- Durch das Öffnen der Abdeckung entweicht der Luftüberdruck in den Flaschen und ermöglicht die Entfernung oder den Austausch der Flaschen. Zur Entfernung der Flaschen muß sich der Wahlschalter in der Position

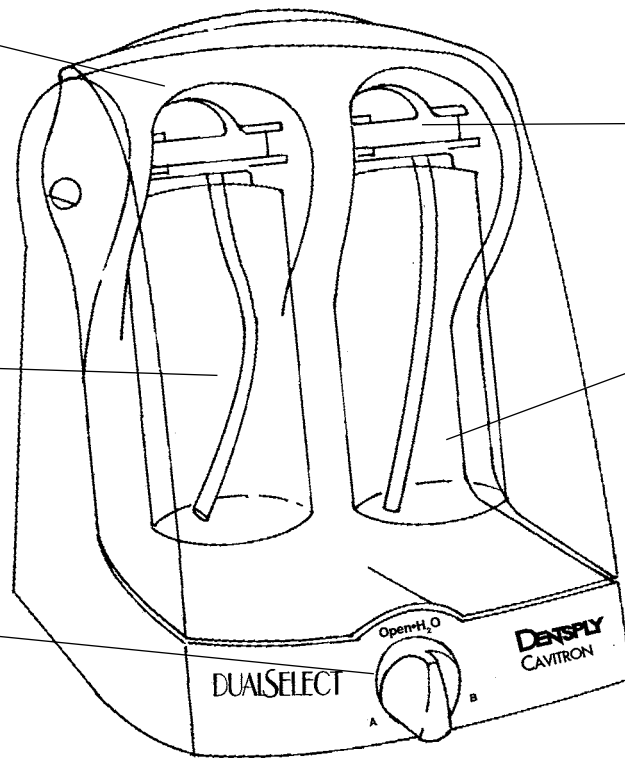
Flasche „A“

Verschluß

Flasche „B“

### Wahlschalter

- Wählt zwischen Flaschen „A“ und „B“ und „Open•H<sub>2</sub>O“; „Open•H<sub>2</sub>O“ ist die externe Wasserversorgung der



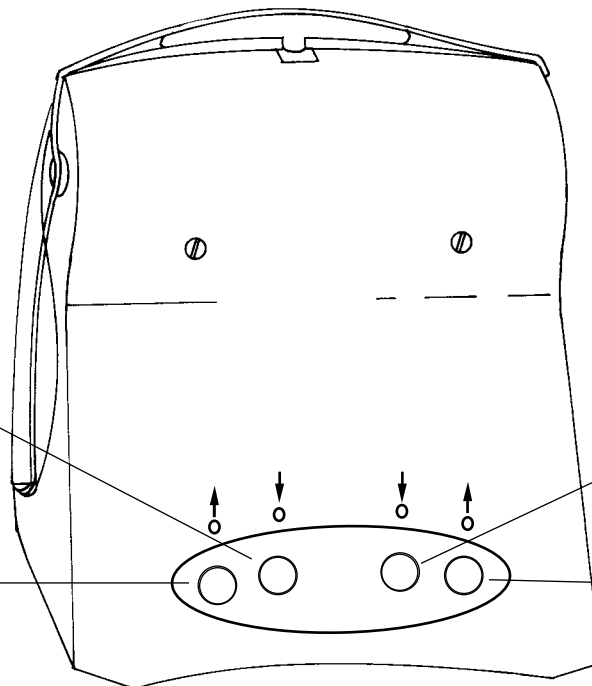
## 8.2 Anschlüsse - Rückseite

Luft (ein)  
(Graue)  
Luftleitung  
des DualSelect™-  
Strahlabgabegeräts  
an die Luftleitung  
der Praxis anschließen.

Luft (aus)  
Zahnsteinschaber/JET-  
Luftleitung an diese  
Öffnung anschließen.

H<sub>2</sub>O (ein)  
(Blaue)  
Wasserleitung  
des DualSelect™-  
Strahlabgabegeräts an die  
externe Wasserversorgung  
der Praxis anschließen.

Spülung (aus)  
Zahnsteinschaber/  
JET-Wasserleitung an  
diese Öffnung anschließen.



**HINWEIS:** Für den Betrieb bei geschlossenem System wird die Wasserleitung des DualSelect™-Strahlabgabegeräts vollständig entfernt.

# Kapitel 9: Zubehör

## 9.1 Zubehörliste\*

1. Die Zubehörpackung enthält 2 Flaschen und 2 Verschlüsse zur Lagerung.
2. Flasche für Desinfektionsmittel und Verschuß zur Lagerung
3. Abdeckung.
4. Antimikrobielle ProSol® CHX-Irrigationslösung.

\*Ausführliche Informationen können Sie von Ihrem zuständigen DENTSPLY Cavitron®-Vertreter beziehen.

## 9.2 Arzneimittel

Die folgenden Arzneimittel können mit dem DualSelect™-Strahlabgabegerät verwendet werden.

- Chlorhexidinglukonat, 0,12 %
- Cetylpyridiniumchlorid (Cepacol®)
- Essentielle Öle (Listerine®)
- Wasserstoffperoxid, 3% USP
- Povidonjodid, 10%ige Lösung
- Kochsalzlösung
- Sanguinaria-Extrakt (Viadent®)
- Reines Wasser, USP  
(zwecks Irrigation und Wartung des Gerätes)

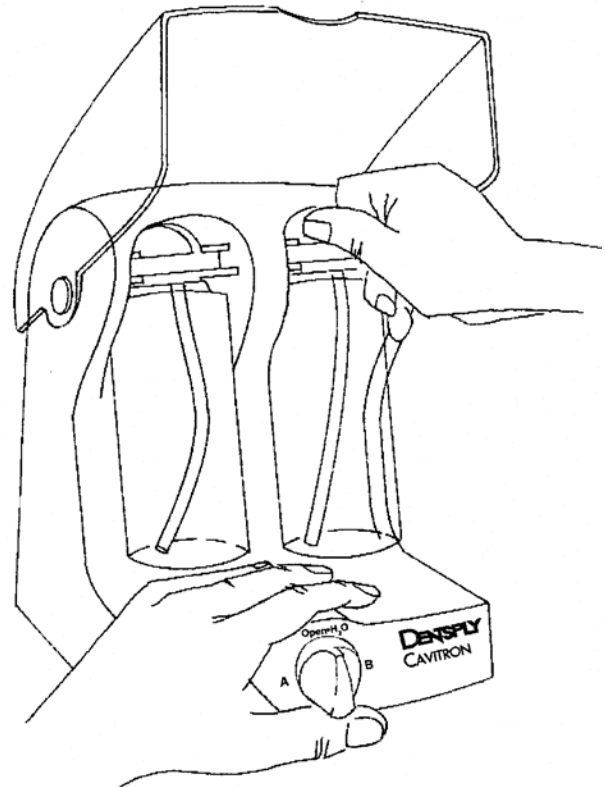
**HINWEIS:** Eine längere Anwendung von Povidoniod ohne ausreichende, nachfolgende Spülung mit Wasser reduziert die Lebensdauer des DualSelect™.

# Kapitel 10: Betrieb

## 10.1 Füllen der Flaschen

- Wahlschalter auf Stellung „Open•H<sub>2</sub>O“ setzen. Abdeckung vorsichtig anheben und langsam in die vollständig geöffnete Position bringen.
- Das Öffnen der Abdeckung läßt den Flaschenüberdruck entweichen. Das Geräusch der entweichenden Luft ist als normal anzusehen.
- Flaschen wie gezeigt entfernen. Dazu den Griff des Verschlusses mit einer Hand ergreifen, während die andere Hand das untere Ende des DualSelect™-Strahlabgabegeräts festhält. Die Flasche ist parallel zum Boden des Geräts herauszunehmen.
- Verschuß abschrauben; Verschuß abnehmen und mit der oberen Seite nach unten auf eine saubere Fläche legen, um eine Kontamination des Absaugschlauchs zu vermeiden.
- Flasche bis zum gewünschten Flüssigkeitsstand füllen und Verschuß wieder aufsetzen.
- Verschuß fest anziehen, um Luftlecks zu vermeiden.
- Flasche einsetzen, indem der Verschuß zwischen die Führungsrippen ausgerichtet und auf die Verbindungsstücke geschoben wird. Die Verbindungsstücke sind lose, um die Ausrichtung der Flasche während des Einsetzens zu erleichtern. Beide Öffnungen im Verschuß müssen über den Verbindungsstücken mit Außenkonus ausgerichtet werden.
- Abdeckung schließen.

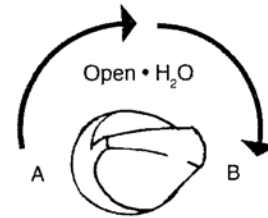
Das Gerät ist jetzt betriebsbereit.



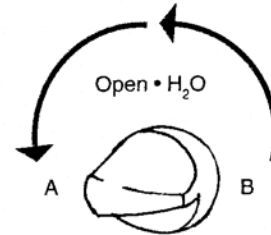
### 10.2 Betrieb des Strahlabgabegeräts

- Zahnsteinschaber/JET-Gerät einschalten. Der Flüssigkeitsfluß vom DualSelect™-Strahlabgabegerät wird über den Wasserregler des Ultraschall-Zahnsteinschabers, des Cavitron JET®-Geräts oder des PROPHY-JET®-Geräts gesteuert.
- Wahlschalter auf die gewünschte Position setzen: Flasche „A“, „Open•H<sub>2</sub>O“ oder Flasche „B“. Der Wahlschalter läßt sich nur um 180° durch die Position „Open•H<sub>2</sub>O“ hinweg drehen; von „A“ nach „B“ oder von „B“ nach „A“ (wie rechts gezeigt).
- Der mit dem DualSelect™-Gerät verbundene Zahnsteinschaber/JET kann jetzt Flüssigkeit von der gewählten Quelle erhalten.
- Nach dem Umschalten zwischen Flaschen „A“ und „B“ dauert es 30 Sekunden, bis neue Flüssigkeit aus dem Handstück austritt.
- Zur Verwendung von Wasser aus der Praxis den Wahlschalter auf die Position „Open•H<sub>2</sub>O“ setzen.

**HINWEIS:** Wenn die Option geschlossenes System gewählt wird, tritt in Position „Open•H<sub>2</sub>O“ kein Wasser aus dem Gerät aus, da keine externe Wasserleitung an das DualSelect™-Gerät angeschlossen ist. Um Flüssigkeit zu erhalten, muß Position „A“ oder „B“ gewählt werden.



„A“ nach „B“



„B“ nach „A“

## Kapitel 11: Pflege des Geräts

### 11.1 Empfohlene Wartung

#### Zu Beginn des Tages

1. Flasche mit reinigem Wasser auf Position „A“ stellen.
2. Abdeckung schließen und Wahlschalter auf Position „A“ setzen.
3. Ultraschall-Zahnsteinschaber/JET in Übereinstimmung mit den Richtlinien der Centers for Disease Control and Prevention (CDC) bei maximalem Wasserdurchfluß wenigstens eine Minute lang laufen lassen.
4. Wahlschalter auf Position „Open•H<sub>2</sub>O“ setzen.
5. Abdeckung anheben, Flasche aus Position „A“ entfernen und auf Position „B“ stellen. Schritte 2 und 3 mit Flasche in Position „B“ wiederholen.
6. Abdeckung öffnen und Flasche aus Position „B“ entfernen.
7. Flasche mit reinigem Wasser/Arzneimittel in eine oder beide Positionen einsetzen, Abdeckung schließen und Wahlschalter zur geeigneten Position stellen.
8. Einen frisch sterilisierten Einsatz oder eine frisch sterilisierte Düse in das Handstück einsetzen.
9. Das Gerät ist jetzt betriebsbereit.

#### Zwischen Patienten

1. Ultraschall/JET-Einsatz oder Airpolishing-Düse aus dem Handstück herausnehmen, reinigen und sterilisieren.
2. Flasche mit reinigem Wasser auf Position „A“ stellen. Abdeckung schließen und Wahlschalter auf Position „A“ setzen.
3. Ultraschall-Zahnsteinschaber/JET in Übereinstimmung mit den Richtlinien der Centers for Disease

- Control and Prevention (CDC) bei maximalem Wasserdurchfluß wenigstens 30 Sekunden lang laufen lassen, um sämtliche vorher verwendeten Flüssigkeiten aus dem Gerät auszuspülen.
4. Wahlschalter auf Position „Open•H<sub>2</sub>O“ setzen und Abdeckung öffnen. Flasche mit reinigem Wasser aus Position „A“ entfernen und auf Position „B“ stellen. Schritte 2 und 3 mit Flasche in Position „B“ wiederholen. Wahlschalter auf Position „Open•H<sub>2</sub>O“ setzen, Abdeckung öffnen und Flasche mit reinigem Wasser aus Position „B“ entfernen.
5. Alle Oberflächen des DualSelect™-Strahlabgabegeräts und sämtliche Zusatzgeräte mit einem bundesweit zugelassenen Flächendesinfektionsmittel den Anweisungen des Herstellers entsprechend reinigen und desinfizieren. Zur Reinigung des Geräts reichlich Desinfektionsmittel auf ein sauberes Tuch sprühen und das gesamte Gerät abwischen. Gebrauchte Tücher verwerfen. Zur Desinfektion des Geräts reichlich Desinfektionsmittel auf ein sauberes Tuch sprühen und das gesamte Gerät abwischen. Desinfektionsmittellösung an der Luft trocknen lassen.
6. Flasche mit reinigem Wasser/Arzneimittel in eine oder beide Positionen einsetzen, Abdeckung schließen und Wahlschalter auf die entsprechende Position setzen.
7. Einen frisch sterilisierten Einsatz oder eine frisch sterilisierte Düse in das Handstück einsetzen.
8. Das Gerät ist jetzt betriebsbereit.

**HINWEIS:** Desinfektionsmittellösungen auf Wasserbasis werden bevorzugt. Bestimmte Lösungen auf Alkoholbasis können gefährlich sein und außerdem zur Verfärbung von Kunststoffmaterialien führen.

### Zum Abschluß des Tages

1. Ultraschall/JET-Einsatz oder Airpolishing-Düse aus dem Handstück herausnehmen, reinigen und sterilisieren.
2. Flasche mit reinigem Wasser auf Position „A“ stellen. Abdeckung schließen und Wahlschalter auf Position „A“ setzen.
3. Ultraschall-Zahnsteinschaber/JET bei maximalem Wasserdurchfluß wenigstens 30 Sekunden lang laufen lassen, um sämtliche vorher verwendeten Flüssigkeiten aus dem Gerät auszuspülen.
4. Wahlschalter auf Position „Open•H<sub>2</sub>O“ setzen und Abdeckung öffnen. Flasche mit reinigem Wasser aus Position „A“ entfernen und auf Position „B“ stellen. Schritte 2 und 3 mit Flasche in Position „B“ wiederholen. Wahlschalter auf Position „Open•H<sub>2</sub>O“ setzen, Abdeckung öffnen und Flasche mit reinigem Wasser entfernen.
5. Leere Flasche auf Position „A“ stellen und Abdeckung schließen. Wahlschalter auf Position „A“ setzen und Ultraschall-Zahnsteinschaber/JET bei maximalem Wasserdurchfluß wenigstens 30 Sekunden lang laufen lassen, um die Leitung mit Luft auszublasen. Wahlschalter auf Position „Open•H<sub>2</sub>O“ setzen und Abdeckung öffnen.
6. Leere Flasche aus Position „A“ entfernen und auf Position „B“ stellen. Schritt 5 mit Flasche in Position „B“ wiederholen. Wahlschalter auf Position „Open•H<sub>2</sub>O“ setzen, Abdeckung öffnen und leere Flasche aus Position „B“ entfernen. Gegen Ende des Zyklus sollte die Leitung relativ trocken sein.
7. Alle Oberflächen des DualSelect™-Strahlabgabegeräts und sämtliche Zusatzgeräte mit einem bundesweit zugelassenen Flächendesinfektionsmittel den Anweisungen des Herstellers entsprechend reinigen und desinfizieren. Zur Reinigung des Geräts reichlich Desinfektionsmittel auf ein sauberes Tuch sprühen und das gesamte Gerät abwischen. Gebrauchte Tücher verwerfen. Zur Desinfektion des Geräts reichlich Desinfektionsmittel auf ein sauberes Tuch sprühen und das gesamte Gerät abwischen. Desinfektionsmittellösung an der Luft trocknen lassen.

### Zum Abschluß der Woche

1. Ultraschall/JET-Einsatz oder Airpolishing-Düse aus dem Handstück herausnehmen, reinigen und sterilisieren.
2. Flasche mit reinigem Wasser auf Position „A“ stellen. Abdeckung schließen und Wahlschalter auf Position „A“ setzen.
3. Ultraschall-Zahnsteinschaber/JET bei maximalem Wasserdurchfluß wenigstens 30 Sekunden lang laufen lassen, um sämtliche vorher verwendeten Flüssigkeiten aus dem Gerät auszuspülen. Wahlschalter auf Position „Open•H<sub>2</sub>O“ setzen und Abdeckung öffnen.
4. Flasche mit Wasser aus Position „A“ entfernen und auf Position „B“ stellen. Schritte 2 und 3 mit Flasche in Position „B“ wiederholen. Flasche mit reinigem Wasser aus Position „B“ entfernen.
5. Leere Flasche auf Position „A“ stellen, Abdeckung schließen und Wahlschalter auf Position „A“ setzen. Ultraschall-Zahnsteinschaber/JET bei maximalem Was-

serdurchfluß wenigstens 30 Sekunden lang laufen lassen, um die Leitung mit Luft auszublasen. Wahlschalter auf Position „Open•H<sub>2</sub>O“ setzen und Abdeckung öffnen.

6. Leere Flasche aus Position „A“ entfernen und auf Position „B“ stellen. Schritt 5 mit Flasche auf Position „B“ wiederholen. Leere Flasche aus Position „B“ entfernen.
7. Eine 1:10-Lösung von Natriumhypochlorit (NaOCl) herstellen, indem 5,25%ige Natriumhypochloritlösung bis zur entsprechenden Markierung in die Flasche für Desinfektionsmittel gefüllt wird. Den Rest der Desinfektionsflasche mit reinigem Wasser füllen. Die Flasche mit Desinfektionsmittel auf Position „A“ stellen. Abdeckung schließen und Wahlschalter auf Position „A“ setzen. Ultraschall-Zahnsteinschaber/JET bei maximalem Wasserdurchfluß wenigstens 30 Sekunden lang laufen lassen, bis die Lösung aus dem Handstück austritt.
8. Wahlschalter auf Position „Open•H<sub>2</sub>O“ setzen und Abdeckung öffnen. Flasche mit Desinfektionsmittel aus Position „A“ entnehmen und auf Position „B“ stellen. Wahlschalter auf Position „B“ setzen und Gerät mindestens 10 Sekunden lang laufen lassen. Wahlschalter auf Position „Open•H<sub>2</sub>O“ setzen, Abdeckung öffnen und Flasche mit Desinfektionsmittel entfernen. *Gerät mindestens 10 Minuten, jedoch nicht länger als 30 Minuten, ungestört belassen, damit die Natriumhypochlorit-Lösung in die Leitungen eindringen kann. Vorschlag: SCHILD AUFSTELLEN, AUF DEM ANGEGEBEN IST, DASS DAS GERÄT MIT EINEM STARKEN DESINFIZIERT WIRD UND NICHT BENUTZT WERDEN DARF.*
9. Eine Flasche mit reinigem Wasser füllen, auf Position „A“ stellen und Abdeckung schließen. Wahlschalter auf Position „A“ setzen und Ultraschall-Zahnsteinschaber/JET bei maximalem Wasserdurchfluß wenigstens 30 Sekunden lang oder bis zum Verschwinden des Natriumhypochlorit-Geruchs laufen lassen. **VOR DER VERWENDUNG AM PATIENTEN MÜSSEN ALLE CHEMIKALIEN AUS DEM GERÄT HERAUSGESPÜLT WERDEN.** Wahlschalter auf Position „Open•H<sub>2</sub>O“ setzen und Abdeckung öffnen. Flasche mit Desinfektionsmittel aus Position „A“ entnehmen und auf Position „B“ stellen. Abdeckung schließen und Wahlschalter auf Position „B“ setzen. Ultraschall-Zahnsteinschaber/JET bei maximalem Wasserdurchfluß wenigstens 30 Sekunden lang laufen lassen, bis das Wasser abläuft oder der Natriumhypochlorit-Geruch verschwindet. Das Gerät darf keinen Restgeruch besitzen.
10. Wahlschalter auf Position „Open•H<sub>2</sub>O“ setzen, Abdeckung öffnen und Flasche mit reinigem Wasser aus Position „B“ entfernen. Leere Flasche auf Position „A“ stellen, Abdeckung schließen und Wahlschalter auf Position „A“ setzen. Ultraschall-Zahnsteinschaber/JET bei maximalem Wasserdurchfluß wenigstens 30 Sekunden lang laufen lassen, um die Leitung mit Luft auszublasen.

Wahlschalter auf Position „Open•H<sub>2</sub>O“ setzen, leere Flasche aus Position „A“ entfernen und auf Position „B“ stellen. Ultraschall-Zahnsteinschaber/JET bei maximalem Wasserdurchfluß wenigstens 30 Sekunden lang laufen lassen, um die Leitung mit Luft auszublansen. Gegen Ende des Zyklus sollte die Leitung relativ trocken sein.

**HINWEIS:** Alle Medikamente und Desinfektionsmittellösungen aus Flaschen sind jede Woche zu entsorgen. Befolgen Sie die im Cavitron Verfahrenshandbuch zur Infektionskontrolle (Form Nr. 81158) enthaltenen Reinigungs- und Sterilisationsverfahren. **DESINFEKTIONSFLASCHEN DÜRFEN NUR DESINFEKTIONSMITTEL ENTHALTEN.**

## Kapitel 12: Fehlersuche®

---

Obwohl Wartungs- und Reparaturarbeiten des DualSelect™ Strahlabgabegeräts von DENTSPLY-Mitarbeitern durchzuführen sind [Siehe Kapitel 12.2, Kundendienstinformation]. Nachstehend sind einige grundlegende Fehlersuchverfahren beschrieben, die Ihnen helfen, unnötige Kundendienstbesuche zu vermeiden.

### 12.1 Anweisungen zur Fehlersuche

Falls die gewünschte Flüssigkeit 60 Sekunden nach Inbetriebnahme nicht aus dem Handstück austritt:

1. Alle Anschlüsse auf der Rückseite des DualSelect™-Strahlabgabegeräts überprüfen, um sicherzustellen, daß die Leitungen sachgemäß installiert sind.
2. Überprüfen, daß sich der Wahlschalter in der richtigen Position befindet.
3. Überprüfen, daß die gewählte Flasche nicht leer ist.

### 11.2 Routinemäßige Wartung

**WICHTIG:** O-Ring nutzen sich ab und müssen routinemäßige ersetzt werden. Zum Ersatz von Teilnr. 628051001 setzen Sie sich bitte mit Ihrem Handler oder mit Cavitron Care™ in Verbindung.

4. Wird Wasser aus der Zahnarztpraxis verwendet, überprüfen, daß das Absperrventil geöffnet ist.
5. Überprüfen, daß der Flaschenverschluß festgeschraubt ist.
6. Überprüfen, daß der Flüssigkeitsstand das untere Ende des internen Schlauchs bedeckt.

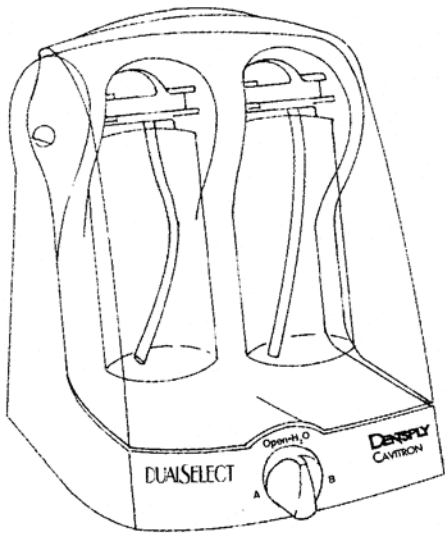
### 12.2 Kundendienstinformation

Dieses Gerät besitzt keine wartungsbedürftigen Teile. Bitte jegliche Wartung an eine qualifizierte Wartungsstelle weiterleiten. Für technische Unterstützung und Reparaturhilfe in den USA wenden Sie sich bitte telefonisch unter 1-800-989-8826 an Cavitron Care™ (Mo.–Fr. zwischen 8.00 und 17.00 Uhr US-Ostküstenzeit). Außerhalb der USA wenden Sie sich bitte an den örtlichen DENTSPLY-Vertreter.

## Kapitel 13 : Technische Daten des Produkts

---

Wasserleitungsdruck der Zahnarztpraxis	172 – 414 kPa
Luftleitungsdruck der Zahnarztpraxis	448 – 690 kPa
Austretender Spülungsdruck	207 kPa
Austretender Luftdruck	448 – 690 kPa
Kapazität der Flasche	480 ml
Fließgeschwindigkeit	15 – 55 ml/min.
Gewicht	1,9 kg
Abmessungen Höhe:	26,0 cm
Breite:	20,3 cm
Tiefe:	22,9 cm
Luftschlauch:	2,4 m
Wasserschlauch:	2,4 m
Betriebsumgebung	
Temperatur:	15 bis 40 °C
Relative Luftfeuchtigkeit:	30 % bis 75 % (nicht kondensierend)
Transport- und Lagerbedingungen	
Temperatur:	0 bis 70 °C
Relative Luftfeuchtigkeit:	10 % to 95 % (nicht kondensierend)
Atmosphärischer Druckbereich:	500 bis 1060 kPa



**ITALIANO**

**Cavitron®**  
**Sistema di erogazione**  
**DualSelect™**

**Istruzioni per l'uso**

*Leggere attentamente tutte le istruzioni  
prima di utilizzare l'unità.*

---

## **Introduzione**

---

### **Sistema di erogazione DualSelect™ Cavitron®**

Congratulazioni. L'acquisto del Sistema di erogazione DualSelect™ è un investimento sicuro.

Il Sistema di erogazione DualSelect™ è stato progettato per la somministrazione di vari medicinali e/o di acqua pulita mediante l'utilizzo degli scaler ultrasonici DENTSPLY Cavitron®, i sistemi CavitronJET® e i sistemi PROPHY-JET®. Il sistema DualSelect™ consente il rifornimento di liquido scegliendo tra i due flaconi incorporati e la presa d'acqua dello studio dentistico. Il Sistema di erogazione DualSelect™, inoltre, permette di operare nel rispetto dei regolamenti del CDC (U.S. Centers for Disease Control and Prevention) e dell'ADA (American Dental Association) consentendo la possibilità di erogazione a linea chiusa ed erogando acqua pulita.

Questo sistema DualSelect™ è approvato dalla UL (Underwriters Laboratories).

### **Assistenza tecnica**

Nessun componente dell'unità è riparabile dall'utente. Delegare tutti gli interventi di assistenza ad una struttura qualificata di assistenza e riparazioni. Per assistenza tecnica ed eventuali riparazioni negli Stati Uniti, rivolgersi a Cavitron Care<sup>SM</sup> al numero 1-800-989-8826 dal lunedì al venerdì, dalle 8 alle 17 (orario della costa orientale degli Stati Uniti). Per altre aree, rivolgersi al rappresentante di zona della DENTSPLY.

### **Acquisto di ricambi e sostituzione di parti**

Per l'acquisto di articoli di consumo o di ricambio negli Stati Uniti, rivolgersi al distributore di zona della DENTSPLY o chiamare il numero 1-800-989-8826 dal lunedì al venerdì, dalle 8 alle 17 (orario della costa orientale degli Stati Uniti). Per altre aree, rivolgersi al rappresentante di zona DENTSPLY.

Solo per prescrizione

Sito web: [www.professional.dentsply.com](http://www.professional.dentsply.com)

# Indice

---

Sezione	Titolo della sezione Contenuto	Pagina(e)
1	Indicazioni.....	39
	1.1 Indicazioni relative al trattamento di profilassi ad ultrasuoni	
	1.2 Indicazioni relative al trattamento di pulizia a getto d'aria	
2	Controindicazioni.....	39
3	Avvertenze.....	39
4	Precauzioni generali.....	39
5	Effetti indesiderati.....	39
6	Controllo di infezioni.....	40
	6.1 Scheda di riferimento per informazioni sul controllo d'infezioni	
	6.2 Raccomandazioni generali relative al controllo d'infezioni	
	6.3 Raccomandazioni per il rifornimento idrico	
7	Informazioni riguardanti l'installazione.....	40
	7.1 Informazioni generali	
	7.2 Disimballaggio del sistema	
	7.3 Requisiti e raccomandazioni riguardanti il rifornimento idrico	
	7.4 Collegamento della rete di rifornimento idrico con il sistema	
	7.5 Installazione del sistema	
8	Descrizione dei componenti del sistema DualSelect™.....	41
	8.1 Controlli – Sezione frontale del sistema	
	8.2 Prese di connessione - Parte posteriore del sistema	
9	Accessori.....	42
	9.1 Elenco degli accessori	
	9.2 Farmaci	
10	Funzionamento.....	42-43
	10.1 Riempimento delle bottiglie	
	10.2 Funzionamento dell'erogatore	
11	Manutenzione del sistema.....	43-45
	11.1 Consigli per la manutenzione	
	All'inizio della giornata	
	Tra un trattamento e l'altro	
	Al termine della giornata	
	Al termine della settimana	
	11.2 Manutenzione di routine	
12	Guasti e riparazioni.....	45
	12.1 Istruzioni per l'individuazione e la soluzione di problemi	
	12.2 Assistenza tecnica	

# Sezione 1: Indicazioni

---

## 1.1 Indicazioni relative al trattamento di profilassi ad ultrasuono

Sistema indicato per l'erogazione di fluido alle unità scaler ultrasoniche nelle procedure di profilassi ad ultrasuoni.

## 1.2 Indicazioni relative al trattamento di pulizia a getto d'aria

Sistema di erogazione di fluido alle unità di profilassi con pulizia a getto d'aria, indicato nelle procedure di pulizia a getto d'aria.

# Sezione 2: Controindicazioni

---

- Il Sistema di erogazione DualSelect™ non è indicato per l'uso con farmaci diversi da quelli indicati nella sezione 9.2.
- Quando l'asepsi è richiesta o ritenuta adatta nel migliore giudizio professionale del professionista dentale, questo prodotto non dovrebbe essere usato.

# Sezione 3: Avvertenze

---

- Se si usa il sistema di erogazione DualSelect™ come sistema a linea chiusa, evitare l'accumulo di depositi organici nel modo seguente:
  1. usando acqua contenente meno di 200 unità formanti colonie/millilitro durante i trattamenti dentali.
  2. effettuando la manutenzione richiesta.
- Non mettere in funzione il sistema se il coperchio di protezione non è chiuso.

# Sezione 4: Precauzioni generali

---

- Il sistema è portatile e deve essere maneggiato con cura quando trasportato.
- È necessario mantenere il buon funzionamento del sistema effettuando lavaggi e spurgo ad aria [vedere Sezione 11: *Manutenzione del sistema*].
- Se si usa l'acqua dello studio dentistico, chiudere la valvola di erogazione dell'acqua dell'unità dentale alla fine della giornata di lavoro.
- Si possono verificare perdite di liquido se il coperchio di protezione viene aperto quando la manopola di selezione è in posizione "A" o "B".
- Alcuni farmaci possono lasciare macchie nel sistema e/o nei flaconi.
- Per evitare l'accumulo di pellicole organiche, si raccomanda di usare acqua pulita per il lavaggio del sistema [vedere Sezione 11: *Manutenzione del sistema*].
- Il sistema non è concepito per garantire la sterilità, ma permette di operare nel rispetto dei regolamenti del CDC (U.S. Centers for Disease Control and Prevention) e dell'ADA (American Dental Association) consentendo la possibilità di erogazione a linea chiusa ed erogando acqua pulita (meno di 200 Unità Formanti Colonie/millilitro).
- È la responsabilità del professionista dentale di capire ed aderire alle guide e requisiti del CDC, ADA o di altre ente normative applicabili.
- Nei casi in cui un'ordinanza di fare bollire l'acqua è annunciata, questo prodotto non dovrebbe essere usato con un sistema aperto dell'acqua (per esempio collegato ad un sistema pubblico dell'acqua). I professionisti dentali dovrebbero interrompere l'uso sui pazienti e prendere contatto con l'Ente erogatore dell'acqua locale per determinare quando è sicuro continuare l'uso di questo prodotto. Quando l'ordinanza è annullata, l'Ente erogatore dell'acqua locale dovrebbe fornire consigli per lo spurgo delle tubature. Si consiglia di spurgare per un periodo di 2 - 5 minuti tutte le tubature di arrivo dell'acqua del sistema pubblico all'interno dell'ufficio dentale (per esempio, rubinetti, tubature ed attrezzature dentali) in conformità con le istruzioni del fornitore.

# Sezione 5: Effetti indesiderati

---

Non sono noti effetti indesiderati.



## Sezione 6: Controllo di infezioni

### 6.1 Raccomandazioni Relative al Controllo delle Infezioni

Riferitevi alla sezione 10 Consigli per la manutenzione del sistema, quotidiana, Tra un trattamento e l'altro e Al termine della settimana.

### 6.2 Raccomandazioni generali relative al controllo d'infezioni

Come per ogni trattamento dentale, osservare le norme standard di sicurezza personale (come l'uso di mascherina, occhiali o altra protezione per il viso, guanti e camice)

### 6.3 Raccomandazioni per il rifornimento idrico

Il sistema di erogazione DualSelect, come parte di ogni sistema dentale di erogazione dell'acqua, deve essere installato e mantenuto correttamente in conformità con le Istruzioni per l'Installazione (Sezione 7); con la Manutenzione del sistema (Sezione 11); con la Scheda di riferimento per il controllo delle infezioni fornita separatamente, e con qualunque guida di riferimento e regolazioni applicabili di qualità dell'acqua. Si raccomanda vivamente di verificare che tutti gli impianti di alimentazione idrica per uso odontoiatrico siano conformi alle norme CDC (Centers for Disease Control and Prevention, Centri per il controllo e la prevenzione delle malattie) e ADA (American Dental Association, Associazione odontoiatrica americana) e di rispettare tutte le raccomandazioni riguardanti lo spurgo, lo spurgo chimico e le procedure generali per il controllo delle infezioni. Consultare le sezioni 7.3 e 11. È la responsabilità del professionista di essere informato e di aderire alle guide e regolazioni (cioè CDC, ADA e EN 1717) applicabili sulla qualità dell'acqua.

## Sezione 7: Informazioni riguardanti l'installazione

### 7.1 Informazioni generali

- Il sistema di erogazione DualSelect™ deve essere collegato alla presa d'aria dello studio dentistico e può essere collegato alla rete di rifornimento esterno d'acqua dello stesso studio.
- Se l'installazione del sistema di erogazione DualSelect™ non viene effettuata dal distributore autorizzato della DENTSPLY, si deve fare attenzione a soddisfare i seguenti requisiti e a seguire le seguenti raccomandazioni.

### 7.2 Disimballaggio del sistema

- Aprire con la dovuta cura la confezione del sistema di erogazione DualSelect™ e verificare la presenza di tutti i componenti e di tutti gli accessori:

<u>QUANTITÀ</u>	<u>PRODOTTO</u>
1	Unità di erogazione DualSelect™ con tubi dell'aria e dell'acqua e dispositivi di disinserimento rapido;
2	Bottiglie e 2 tappi
1	Bottiglia di disinfettante e tappo
1	Opuscolo illustrativo

### 7.3 Requisiti e raccomandazioni riguardanti il rifornimento idrico

- La pressione dell'acqua in entrata nel sistema deve essere compresa tra 172 e 414 kPa. Se la pressione dell'acqua in entrata è superiore a 414 kPa, è necessario installare un regolatore di pressione idrica.
- Chiudere la valvola del rifornimento idrico esterno prima di chiudere lo studio.
- Si può installare un filtro nella presa d'acqua esterna, per impedire che eventuali particelle d'impurità entrino nel sistema.
- Prima di collegare il sistema DualSelect™ alla presa di alimentazione idrica, si deve compiere un accurato lavaggio di tutte le tubature [vedere sezione 11: Manutenzione dello strumento].

### 7.4 Collegamento della rete di rifornimento idrico con il sistema

- Eseguire il lavaggio del tubo idrico d'entrata per purificarlo da eventuali sostanze infettanti.
- Chiudere la valvola della linea di rifornimento idrico esterno.
- Collegare il tubo dell'acqua (blu) del DualSelect™ alla rete di rifornimento idrico esterno.
- Aprire la valvola della linea di rifornimento idrico esterno e controllare che non ci siano perdite in nessuna delle connessioni.

**NOTA: Per usare il DualSelect™ come sistema a linea chiusa, disconnettere completamente il tubo dell'acqua.**

### 7.5 Installazione del sistema

- Collocare il sistema su una superficie stabile, o porlo sopra allo Scaler ultrasonico Cavitron SPS™ o sistema combinato Cavitron JET SPS.
- Assicurarsi che l'unità dello scaler ultrasonico sia spenta.
- Chiudere il coperchio e posizionare la manopola di selezione su "Open•H<sub>2</sub>O".
- Collegare i due tubi dell'aria e dell'acqua del sistema di erogazione DualSelect™ a quelli dello studio dentistico (vedere la nota).
- Collegare il tubo dell'aria (se adatto) e quello dell'acqua dello scaler/JET ai corrispondenti due tubi in uscita del DualSelect™.

**NOTA: Per usare il DualSelect™ come sistema a linea chiusa, disconnettere completamente il tubo dell'acqua.**

## Sezione 8: Descrizione dei componenti del sistema DualSelect™

### 8.1 Controlli – Sezione frontale del sistema

Coperchio di protezione  
(quando chiuso)

- Il coperchio di protezione deve essere chiuso per permettere il deflusso del liquido dalle bottiglie "A" o "B".

- Aprire il coperchio per diminuire la pressione d'aria delle bottiglie o per toglierli o sostituirli. Ruotare la manopola di selezione su "Open•H<sub>2</sub>O" quando si tolgono le

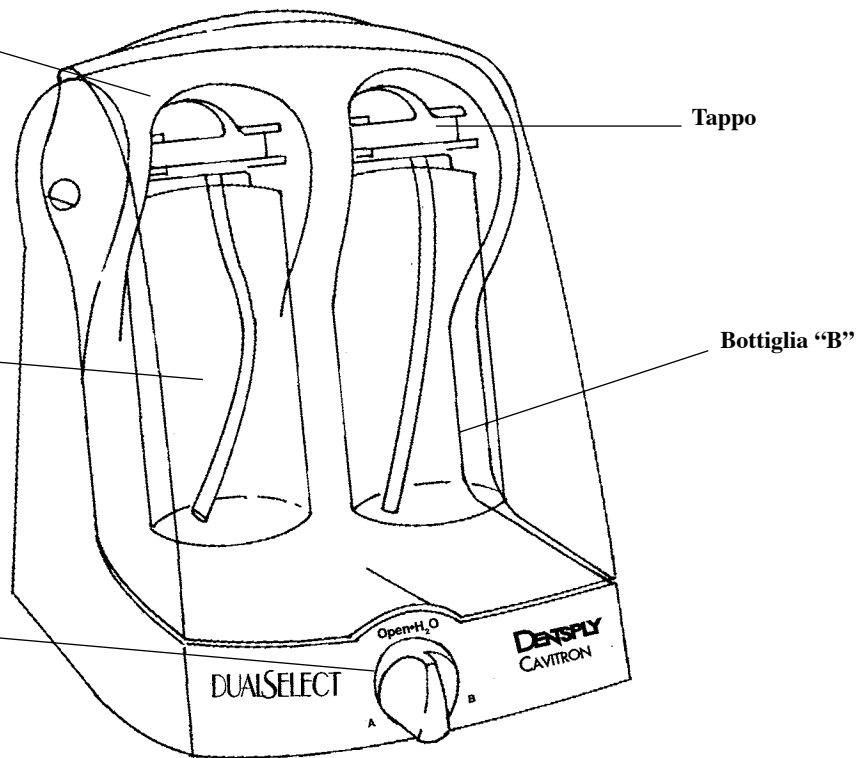
Bottiglia "A"

Tappo

Bottiglia "B"

Manopola di selezione

- Permette di selezionare tra bottiglia "A" e "B", e "Open•H<sub>2</sub>O" che è la presa d'acqua esterna dello studio.



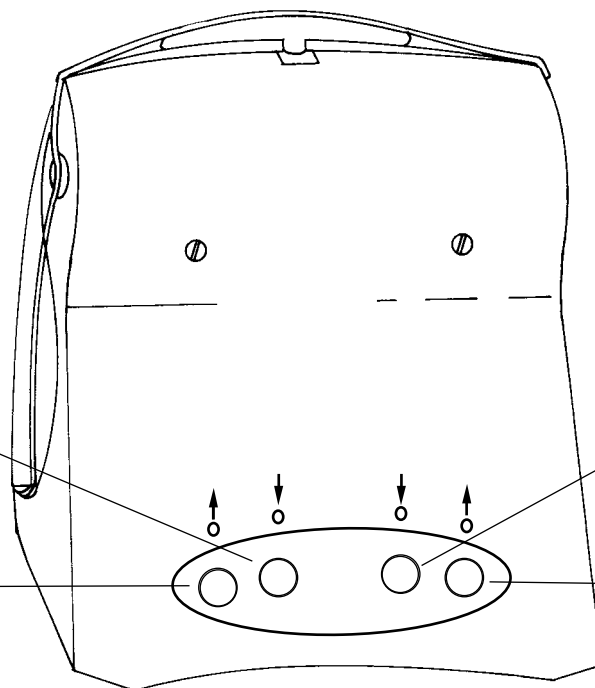
### 8.2 Prese di connessione – Parte posteriore del sistema

Aria (entrata)  
Collega il tubo dell'aria (grigio) del DualSelect™ a quello di rifornimento dell'aria.

Aria (uscita)  
Collega il tubo dell'aria dello Scaler/JET a questa apertura.

H<sub>2</sub>O (entrata)  
Collega il tubo dell'acqua (blu) del DualSelect™ alla rete di alimentazione idrica esterna.

Lavaggio (uscita)  
Collega il tubo dell'acqua dello Scaler/JET a questa apertura.



**NOTA:** Per usare il DualSelect™ come sistema a linea chiusa, disconnettere completamente il tubo dell'acqua.

## Sezione 9: Accessori

### 9.1 Elenco degli accessori\*

1. Confezione di accessori contenente 2 bottiglie e 2 tappi.
2. Bottiglia di disinfettante e tappo.
3. Coperchio di protezione.

\* Per informazioni più dettagliate, rivolgersi al distributore locale della DENTSPLY.

### 9.2 Farmaci

I farmaci compatibili col sistema di erogazione DualSelect™ sono i seguenti:

- Gluconato di clorexidina 0,12%
- Cloruro di certilpiridinio (Cepacol®)
- Olii essenziali (Listerina®)
- Perossido di idrogeno, 3 % USP
- Povidone-iodio, soluzione al 10%
- Soluzione fisiologica
- Estratto di sanguinaria (Viadent®)
- Acqua pulita, USP  
(per l'irrigazione e la manutenzione del sistema)

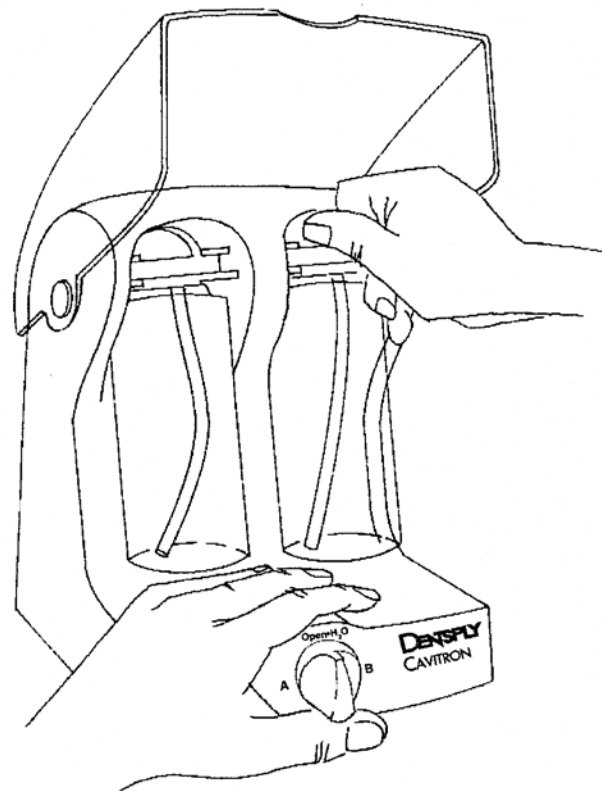
**NOTA:** Un utilizzo prolungato di povidone iodio senza un successivo adeguato risciacquo ridurrà il periodo di vita di DualSelect.

## Sezione 10: Funzionamento

### 10.1 Riempimento delle bottiglie

- Posizionare la manopola di selezione su "Open•H<sub>2</sub>O". Sollevare il coperchio lentamente e con cautela fino ad aprire completamente l'unità.
- L'apertura del coperchio fa depressurizzare le bottiglie, come si può avvertire dal tipico rumore di sfiato.
- Togliere le bottiglie come indicato. Tirare impugnando il tappo con una mano e tenendo ferma con l'altra mano la base dell'apparecchio di erogazione DualSelect™. La bottiglia deve essere estratta parallelamente alla base dell'apparecchio.
- Svitare il tappo, toglierlo e posarlo all'insù in un luogo pulito per evitare la contaminazione del tubo dell'aspirasaliva.
- Riempire la bottiglia fino al livello desiderato e rimettere il tappo.
- Avvitare con forza il tappo per impedire perdite d'aria.
- Inserire la bottiglia nell'unità allineando il tappo con le scanalature di guida e spingendo il tappo stesso dentro agli attacchi (maschio) di agganciamento. Gli attacchi sono allentati per permettere l'allineamento durante l'inserimento senza problemi. Entrambe le aperture dei tappi devono essere allineate con gli attacchi maschio del sistema di aggancio.
- Chiudere il coperchio.

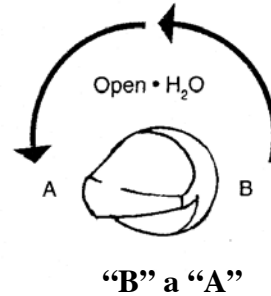
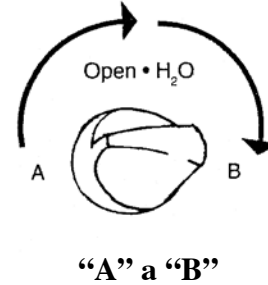
Il sistema è ora pronto per il funzionamento.



## 10.2 Funzionamento dell'erogatore

- Accendere lo scaler/JET. Il flusso del liquido emesso dal sistema di erogazione DualSelect™ viene regolato dal dispositivo di controllo dell'acqua presente nello scaler ultrasonico e nei sistemi Cavitron JET® o PROPHY-JET®.
- Ruotare la manopola di selezione nella posizione desiderata: bottiglia "A", "Open•H<sub>2</sub>O", o bottiglia "B". La manopola può essere ruotata solo di 180°, da "A" a "B" o da "B" ad "A", passando per la posizione "Open•H<sub>2</sub>O" (vedi illustrazione a destra).
- Lo scaler/JET collegato al sistema DualSelect™ può ora ricevere il fluido proveniente dalla fonte selezionata.
- Quando si passa dalla bottiglia "A" alla "B", attendere 30 secondi prima che il nuovo fluido venga emesso.
- Per usare l'acqua dello studio, regolare la manopola di selezione nella posizione "Open•H<sub>2</sub>O".

**NOTA:** Quando si utilizza il sistema con l'opzione a linea chiusa, non uscirà acqua dal sistema in posizione "Open•H<sub>2</sub>O", finché la linea dell'acqua non verrà collegata al sistema DualSelect™. Il sistema deve essere in posizione "A" o "B" per poter ricevere il fluido.



## Sezione 11: Manutenzione del sistema

### 11.1 Consigli per la manutenzione

#### All'inizio della giornata

1. Collocare la bottiglia con acqua pulita nella posizione "A".
2. Chiudere il coperchio e regolare la manopola di selezione nella posizione "A".
3. Far funzionare lo scaler ultrasonico/JET a flusso massimo d'acqua per almeno un minuto, in conformità alle norme CDC (U.S. Centers for Disease Control and Prevention).
4. Ruotare la manopola di selezione nella posizione "Open•H<sub>2</sub>O".
5. Sollevare il coperchio, cambiare la posizione della bottiglia da "A" a "B". Ripetere le fasi 2 e 3 nella posizione "B".
6. Sollevare il coperchio e togliere la bottiglia dalla posizione "B".
7. Porre la bottiglia con acqua pulita o farmaco in una o entrambe le posizioni. Chiudere il coperchio e ruotare la manopola di selezione nella posizione adatta.
8. Inserire un ugello appena sterilizzato nel manipolo.
9. L'unità è ora pronta per funzionare.

#### Tra un trattamento e l'altro

1. Togliere dal manipolo l'insero ultrasonico/JET o l'ugello del dispositivo di pulizia a getto d'aria. Pulirlo e sterilizzarlo.
2. Collocare la bottiglia con acqua pulita nella posizione "A". Chiudere il coperchio e ruotare la manopola di selezione nella posizione "A".

3. Far funzionare lo scaler ultrasonico/JET a flusso massimo d'acqua per almeno 30 secondi, in conformità alle norme CDC (U.S. Centers for Disease Control and Prevention), per lavare il sistema dal liquido precedentemente usato.
4. Ruotare la manopola di selezione nella posizione "Open•H<sub>2</sub>O" ed aprire il coperchio. Ritirare la bottiglia con acqua pulita dalla posizione "A" e collocarla in posizione "B". Ripetere fasi 2 e 3 nella posizione "B". Ruotare la manopola di selezione nella posizione "Open•H<sub>2</sub>O", aprire il coperchio e togliere la bottiglia con acqua pulita dalla posizione "B".
5. Pulire e disinfettare tutte le superfici del sistema di erogazione DualSelect™ e i relativi accessori con una soluzione disinfettante per non-immersione di tipo regolamentare. Seguire bene tutte le istruzioni fornite dalla ditta produttrice del disinfettante. Per pulire il sistema, spruzzare abbondante dose di soluzione disinfettante su un panno pulito e con questo pulire l'intera unità. Non riutilizzare il panno usato. Per disinfettare il sistema, spruzzare abbondante dose di soluzione disinfettante su un panno pulito e con quello pulire l'intera unità. Lasciar evaporare la soluzione disinfettante.
6. Porre la bottiglia con acqua pulita o farmaco in una o entrambe le posizioni. Chiudere il coperchio e ruotare la manopola di selezione nella posizione adatta.
7. Inserire un ugello appena sterilizzato nel manipolo.
8. L'unità è ora pronta per funzionare.

**NOTA:** Sono da preferire soluzioni disinfettanti a base d'acqua. Alcune soluzioni a base d'alcool possono essere dannose e possono scolorire i materiali plastici.

## Section 11: Manutenzione del sistema (cont.)

### Al termine della giornata

1. Togliere dal manipolo l'inserto ultrasonico/JET o l'ugello del dispositivo di pulizia a getto d'aria. Pulirlo e sterilizzarlo.
2. Porre la bottiglia con acqua pulita nella posizione "A". Chiudere il coperchio e ruotare la manopola di selezione nella posizione "A".
3. Far funzionare lo scaler ultrasonico/JET a flusso massimo d'acqua per almeno 30 secondi, per lavare il sistema dal liquido precedentemente usato.
4. Ruotare la manopola di selezione nella posizione "Open•H<sub>2</sub>O" ed aprire il coperchio. Togliere la bottiglia con acqua pulita dalla posizione "A" e metterla nella posizione "B". Ripetere fasi 2 e 3 nella posizione "B". Girare la manopola di selezione sulla posizione "Open•H<sub>2</sub>O", aprire il coperchio e togliere la bottiglia con acqua pulita dalla posizione "B".
5. Porre una bottiglia vuota in posizione "A" e chiudere il coperchio. Ruotare la manopola di selezione nella posizione "A" e far funzionare lo scaler ultrasonico/JET per 30 secondi a flusso massimo d'acqua per lavare i tubi. Ruotare la manopola di selezione nella posizione "Open•H<sub>2</sub>O" ed aprire il coperchio.
6. Togliere la bottiglia vuota dalla posizione "A" e metterla nella posizione "B". Ripetere la fase 5 nella posizione "B". Ruotare la manopola di selezione nella posizione "Open•H<sub>2</sub>O", aprire il coperchio e togliere la bottiglia vuota dalla posizione "B". Alla fine del ciclo, i tubi dovrebbero essere relativamente asciutti.
7. Pulire e disinfettare tutte le superfici del sistema di erogazione DualSelect™ e i relativi accessori con una soluzione disinfettante per non-immersione di tipo regolamentare. Seguire bene tutte le istruzioni fornite dalla ditta produttrice del disinfettante. Per pulire il sistema, spruzzare abbondante dose di soluzione disinfettante su un panno pulito e con quello pulire l'intera unità. Non riutilizzare il panno usato. Per disinfettare il sistema, spruzzare abbondante dose di soluzione disinfettante su un panno pulito e con quello pulire l'intera unità. Lasciar evaporare la soluzione disinfettante.
5. Porre una bottiglia vuota in posizione "A" e chiudere il coperchio. Ruotare la manopola di selezione nella posizione "A" e far funzionare lo scaler ultrasonico/JET per 30 secondi a flusso massimo d'acqua per lavare i tubi. Ruotare la manopola di selezione nella posizione "Open•H<sub>2</sub>O" ed aprire il coperchio.
6. Togliere la bottiglia vuota dalla posizione "A" e metterla nella posizione "B". Ripetere la fase 5 nella posizione "B".
7. Preparare una soluzione 1:10 di ipoclorito di sodio (NaOCl) e riempire la bottiglia di disinfettante con il 5,25% di ipoclorito di sodio, finire di riempire la bottiglia del disinfettante con acqua pulita. Porre la bottiglia di disinfettante in posizione "A". Chiudere il coperchio e ruotare la manopola di selezione nella posizione "A". Far funzionare lo scaler ultrasonico/JET per almeno 30 secondi a flusso massimo d'acqua finché la soluzione sgocciola dal manipolo.
8. Ruotare la manopola di selezione nella posizione "Open•H<sub>2</sub>O" ed aprire il coperchio. Togliere la bottiglia di disinfettante dalla posizione "A" e metterla nella posizione "B". Ruotare la manopola di selezione nella posizione "B" e far funzionare per almeno 10 secondi. Ruotare quindi la manopola di selezione nella posizione "Open•H<sub>2</sub>O", aprire il coperchio e togliere la bottiglia di disinfettante. *Lasciare a riposo l'unità per almeno 10 minuti, ma non più di 30 minuti, per permettere alla soluzione di ipoclorito di sodio di impregnare i tubi. Si suggerisce di APPORRE UN CARTELLO CON L'AVVISO CHE È IN ATTO LA DISINFEZIONE DEL SISTEMA CON FORTE DISINFETTANTE E NON SI DEVE USARE IL SISTEMA.*
9. Riempire una bottiglia con acqua pulita, metterla nella posizione "A" e chiudere il coperchio. Ruotare la manopola di selezione nella posizione "A" e far funzionare lo scaler ultrasonico/JET a flusso massimo d'acqua per almeno 30 secondi o finché l'odore di ipoclorito di sodio scompare. TUTTE LE SOSTANZE CHIMICHE DEVONO VENIR ESSERE ASPORTATE DAL SISTEMA PRIMA CHE QUESTO SIA PRONTO PER ESSERE UTILIZZATO SUI PAZIENTI. Ruotare la manopola di selezione nella posizione "Open•H<sub>2</sub>O" ed aprire il coperchio. Togliere la bottiglia dalla posizione "A" e metterla nella posizione "B". Chiudere il coperchio e ruotare la manopola di selezione nella posizione "B". Far funzionare lo scaler ultrasonico/JET per almeno 30 secondi a flusso massimo d'acqua finché l'odore di ipoclorito di sodio scompare. Non deve rimanere alcun odore residuo nel sistema.

### Al termine della settimana

1. Togliere dal manipolo l'inserto ultrasonico/JET o l'effusore del dispositivo di pulizia a getto d'aria. Pulirlo e sterilizzarlo.
2. Collocare la bottiglia con acqua pulita nella posizione "A". Chiudere il coperchio e ruotare la manopola di selezione nella posizione "A".
3. Far funzionare lo scaler ultrasonico/JET a flusso massimo d'acqua per almeno 30 secondi, al fine di lavare il sistema dai liquidi precedentemente usati. Ruotare la manopola di selezione nella posizione "Open•H<sub>2</sub>O" ed aprire il coperchio.
4. Togliere la bottiglia con acqua pulita dalla posizione "A" e metterla nella posizione "B". Ripetere fasi 2 e 3 nella posizione "B". Togliere la bottiglia con acqua pulita dalla posizione "B".
10. Ruotare la manopola di selezione nella posizione "Open•H<sub>2</sub>O", aprire il coperchio, togliere la bottiglia con acqua pulita dalla posizione "B" e metterla nella posizione "B". Porre una bottiglia vuota in posizione "A" e chiudere il coperchio. Girare la manopola di selezione nella posizione "A" e far funzionare lo scaler ultrasonico/JET per 30 secondi a flusso massimo d'acqua per lavare i tubi e asciugarli.

## Section 11: Manutenzione del sistema (cont.)

Ruotare la manopola di selezione nella posizione "Open•H<sub>2</sub>O" e spostare la bottiglia vuota dalla posizione "A" alla posizione "B". Far funzionare lo scaler ultrasonico/JET per almeno 30 secondi a flusso massimo d'acqua per lavare i tubi e asciugarli. Alla fine del ciclo, i tubi dovrebbero essere relativamente asciutti.

**NOTA:** Svuotare le bottiglie e gettare via tutte le soluzioni medicinali/disinfettanti ogni settimana. Seguire le procedure di sterilizzazione e di pulizia dell'opuscolo Cavitron sulle procedure per il controllo delle infezioni (Modulo no 81158). **LE BOTTIGLIE DI DISINFETTANTE DEVONO ESSERE USATE SOLO A SCOPO DI DISINFEZIONE.**

## Sezione 12: Guasti e riparazioni

L'assistenza e le riparazioni del Sistema di erogazione DualSelect™ devono essere eseguite dal personale della DENTSPLY [vedere sezione 12.2: Assistenza tecnica]. A seguito vengono, comunque, indicate alcune procedure di base utili per l'individuazione e la soluzione di problemi, le quali possono far risparmiare inutili chiamate per richiesta di assistenza.

### 12.1 Istruzioni per l'individuazione e la soluzione di problemi

Se il liquido selezionato non defluisce nel manipolo vuoto entro 60 secondi dalla messa in funzione del sistema:

1. Controllare tutte le connessioni situate nel retro del sistema di erogazione DualSelect™ per verificare che le linee di percorso del fluido siano state installate correttamente.
2. Accertarsi che la manopola di selezione sia nella giusta posizione.

### 11.2 Manutenzione di routine

Importante: le guarnizioni O-ring si logorano e vanno sostituite periodicamente. Si prega di contattare il rappresentante di zona o Cavitron Care™ per il pezzo di ricambio N. 628051001.

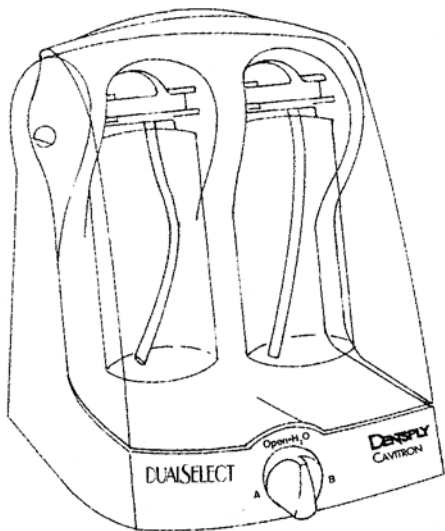
3. Accertarsi che la bottiglia selezionata non sia vuota.
4. Quando si utilizza l'acqua dello studio dentistico, accertarsi che la valvola dell'acqua sia aperta.
5. Assicurarsi che il tappo della bottiglia sia avvitato ermeticamente.
6. Accertarsi che il fluido copra il fondo del tubo interno.

### 12.2 Assistenza tecnica

Nessun componente dell'unità è riparabile dall'utente. Delegare tutti gli interventi di assistenza ad una struttura qualificata di assistenza e riparazioni. Per assistenza tecnica ed eventuali riparazioni negli Stati Uniti, rivolgersi a Cavitron Care<sup>SM</sup> al numero 1-800-989-8826 dal lunedì al venerdì, dalle 8 alle 17 (orario della costa orientale degli Stati Uniti). Per altre aree, rivolgersi al rappresentante di zona della DENTSPLY.

## Sezione 13: Dati tecnici

Pressione acqua in entrata	172 – 414 kPa
Pressione aria in entrata	448 – 690 kPa
Pressione acqua in uscita	207 kPa
Pressione aria in uscita	448 – 690 kPa
Capacità bottiglia	480 ml
Campo del flusso	15 – 55 ml/min.
Peso	1,9 kg
Dimensioni	
altezza:	26,0 cm
larghezza:	20,3 cm
profondità:	22,9 cm
tubo erogazione aria:	2,4 m
tubo erogazione acqua:	2,4 m
Condizioni di esercizio	
Temperatura:	15 a 40 gradi Celsius
Umidità relativa:	30% a 75% (senza condensa)
Condizioni di trasporto e conservazione	
Temperatura:	0 a 70 gradi Celsius
Umidità relativa:	10% a 95% (senza condensa)
Pressione atmosferica:	500 a 1060 kPa



**РУССКИЙ**

## Распределительная система Cavitron® DualSelect™

### Указания по применению

*Прочтите внимательно все указания перед началом работы с устройством.*

## Введение

### Распределительная система Cavitron® DualSelect™

Поздравляем! Приобретение распределительной системы Cavitron® DualSelect™ – это разумное капиталовложение.

Распределительная система DualSelect™ разработана для подачи различного рода лекарств и/или питьевой воды через ультразвуковые аппараты Cavitron® для удаления зубного камня, системы Cavitron® JET и PROPHY-JET®. Система DualSelect™ позволяет оператору выбирать в качестве источника подачи воды либо две внутренних бутылки, либо внешний водопровод стоматологического кабинета. Кроме того, распределительная система DualSelect™ оборудована замкнутой линией и подачей питьевой воды, что обеспечивает соблюдение требований CDC (Centers for Disease Control and Prevention – Центров контроля и профилактики заболеваний) и ADA (American Dental Association – Американской ассоциации стоматологов).

Распределительная система DualSelect™ входит в реестр лаборатории UL (Underwriters Laboratories).

### Техническая поддержка

В данном устройстве нет обслуживаемых деталей. Обслуживание должно проводиться в квалифицированном сервисном центре. Чтобы получить техническую поддержку и помощь в ремонте на территории США, звоните в компанию Cavitron Care<sup>SM</sup> по тел. 1-800-989-8826 с понедельника по пятницу с 8:00 до 17:00 (по времени Восточного часового пояса). Для получения обслуживания в других регионах обратитесь к местному представителю DENTSPLY.

### Расходные материалы и запасные части

Чтобы заказать расходные материалы или запасные части на территории США, обратитесь к своему местному поставщику продукции DENTSPLY или позвоните по тел. 1-800-989-8826 с понедельника по пятницу с 8:00 до 17:00 (по времени Восточного часового пояса). Для получения обслуживания в других регионах обратитесь к местному представителю DENTSPLY.

Только для Rx

Веб-сайт: [www.professional.dentsply.com](http://www.professional.dentsply.com)

**Только для Rx.**

# Содержание

---

Номер раздела	Название раздела Описание содержания	Номер страницы
1	Показания ..... 1.1 Применение в ультразвуковых профилактических процедурах 1.2 Применение в процедурах пескоструйной полировки	48
2	Противопоказания .....	48
3	Предупреждения.....	48
4	Общие меры предосторожности .....	48
5	Побочные эффекты.....	48
6	Профилактика инфекций..... 6.1 Информационная памятка по профилактике инфекций 6.2 Общие рекомендации по профилактике инфекций..... 6.3 Рекомендации по водоснабжению	49
7	Инструкции по установке .....	49
	7.1 Общая информация	
	7.2 Распаковка системы	
	7.3 Требования и рекомендации для водопровода	
	7.4 Подключение водопровода к системе	
	7.5 Настройка системы	
8	Описание компонентов системы DualSelect™ .....	50
	8.1 Органы управления системой - передняя панель	
	8.2 Подключения - задняя панель	
9	Принадлежности .....	51
	9.1 Перечень принадлежностей	
	9.2 Лекарственные препараты	
10	Эксплуатация.....	51-52
	10.1 Наполнение бутылок	
	10.2 Работа с распределителем	
11	Уход за системой .....	52-53
	11.1 Рекомендуемое техобслуживание В начале рабочего дня В промежутках между приемами пациентов В конце рабочего дня В конце рабочей недели	
	11.2 Текущее техобслуживание	
12	Поиск и устранение неисправностей .....	54
	12.1 Инструкции по поиску и устранению неисправностей	
	12.2 Информация о службе технической поддержки	



# Раздел 1: Показания

---

## 1.1 Применение в ультразвуковых профилактических процедурах

Система предназначена для подачи жидкости в устройства ультразвуковой системы для удаления зубного камня во время ультразвуковых профилактических процедур.

## 1.2 Применение в процедурах пескоструйной полировки

Система предназначена для подачи жидкости в устройства профилактической пескоструйной полировки во время процедур пескоструйной полировки.

# Раздел 2: Противопоказания

---

- Распределительная система DualSelect™ не предназначена для использования с лекарственными препаратами, не указанными в Разделе 9.2.
- Это изделие не следует использовать в случаях, когда обеззараживание является необходимой или подходящей процедурой с профессиональной точки зрения специалиста в области стоматологии.

# Раздел 3: Предупреждения

---

- При использовании распределительной системы DualSelect™ в качестве замкнутой системы избегайте образования биопленки. Для этого:
  1. Во время стоматологических процедур используйте воду, содержащую менее 200 колониеобразующих единиц на миллилитр.
  2. Соблюдайте необходимые меры по техобслуживанию.
- Не работайте с системой при открытом щитке.

# Раздел 4: Общие меры предосторожности

---

- Система является переносной и при перемещении требует осторожного обращения.
- Устройство требует выполнения промывки и продувки воздухом. [См. раздел 11: Уход за системой]
- Если используется водопровод стоматологического кабинета, закрывайте запорный вентиль стоматологической установки в конце рабочего дня.
- При открытом щитке и положении переключателя в позиции А или В возможна утечка жидкости.
- Некоторые лекарственные препараты могут испачкать систему и/или бутылки.
- Во избежание повышенного образования биопленки рекомендуется промывать систему дистиллированной водой. [См. раздел 11: Уход за системой]
- Система не разрабатывалась как стерильная, но может обеспечить соблюдение требований CDC и ADA за счет предоставления замкнутой линии и подачи питьевой воды (с содержанием менее 200 колониеобразующих единиц на миллилитр).
- В обязанности профессионального стоматолога входит знание и соблюдение требований CDC, ADA, а также указаний и рекомендаций других соответствующих организаций.
- Запрещается использовать данное устройство как открытую систему водоснабжения (например, подключать ее к коммунальной системе водоснабжения) во время действия предупреждений о необходимости применения кипяченой воды. Профессиональный стоматолог обязан остановить работу с пациентами, связаться с местной службой водоснабжения и определить, является ли безопасным дальнейшее применение данного изделия. После отмены предупреждения местная служба водоснабжения должна предоставить рекомендации по промывке водопроводов. Все имеющиеся в стоматологическом кабинете входящие водопроводы коммунальной системы водоснабжения (например, краны, водопроводные трубы и стоматологическое оборудование) должны быть промыты согласно инструкциям производителя в течение 2-5 минут.

# Раздел 5: Побочные эффекты

---

Побочные эффекты не установлены.

## Раздел 6: Профилактика инфекций

### 6.1 Информация о профилактике инфекций

Информацию о рекомендуемых процедурах ежедневного ухода, процедурах ухода в промежутках между приемами пациентов и в конце рабочей недели смотрите в разделе 10, Уход за системой.

### 6.2 Общие рекомендации по профилактике инфекций

Как и при проведении других стоматологических процедур, применяйте обычные средства индивидуальной защиты (т.е. наденьте защитные очки, маску или щиток, перчатки и защитный медицинский халат).

### 6.3 Рекомендации по водоснабжению

Распределительная система DualSelect входит в состав стоматологической системы подачи воды и требует правильной установки и техобслуживания в соответствии с Инструкциями по установке (Раздел 7), Уходом за системой (Раздел 11) и прилагаемой отдельно Информационной памяткой по профилактике инфекций, а также с соблюдением соответствующих указаний и требований по качеству воды. Настоятельно рекомендуется обеспечить соответствие систем подачи воды для стоматологических целей применимым стандартам, установленным CDC (Centers for Disease Control and Prevention, Центры контроля и профилактики заболеваний) и ADA (American Dental Association, Американская ассоциация стоматологов), а также выполнять все рекомендации по промывке, промывке с использованием химических веществ и общим процедурам профилактики инфекций. См. разделы 7.3 и 11. Практикующий врач обязан знать и соблюдать все действующие указания и рекомендации по качеству воды (например, CDC, ADA и EN 1717).

## Раздел 7: Инструкции по установке

### 7.1 Общая информация

- Распределительная система DualSelect™ требует подключения к системе подачи воздуха кабинета и может быть подключена к внешнему водопроводу стоматологического кабинета.
- Если установка распределительной системы DualSelect™ выполняется лицами, не являющимися уполномоченными представителями компании DENTSPLY, следует тщательно соблюдать приведенные ниже требования и рекомендации.

### 7.2 Распаковка системы

- Аккуратно распакуйте распределительную систему DualSelect™ и убедитесь в наличии всех компонентов и принадлежностей:

<u>КОЛ.</u>	<u>НАЗВАНИЕ</u>
1	Распределительное устройство DualSelect™ с линиями подачи воздуха и воды, а также с разъемами быстрого отключения
2	Бутылки в сборке, 2 крышки для хранения
1	Бутылка для дезинфицирующего раствора в сборке, крышка для хранения
1	Пакет документации

### 7.3 Требования и рекомендации для водопровода

- Давление воды, поступающей из водопровода стоматологического кабинета в систему, должно находиться в диапазоне от 25 фунтов/кв.дюйм (172 кПа) до 60 фунтов/кв.дюйм (414 кПа). Если давление во внешнем водопроводе превышает 60 фунтов/кв.дюйм (414 кПа), следует установить регулятор давления воды.
- Закрывайте ручной запорный вентиль системы подачи воды стоматологической установки во время отсутствия в кабинете персонала.
- Во избежание попадания в систему каких-либо частиц из системы водоснабжения можно установить фильтр на водопровод стоматологического кабинета.

- Перед подключением системы DualSelect™ необходимо тщательно промыть все водопроводные линии. [См. раздел 11: Уход за системой]

### 7.4 Подключение водопровода к системе

- Промойте входящий водопровод для удаления загрязняющих веществ.
- Закройте ручной запорный вентиль на внешней водопроводной трубе.
- Подключите шланг подачи воды (синего цвета) системы DualSelect™ к внешнему водопроводу стоматологического кабинета.
- Откройте ручной запорный вентиль на внешней водопроводной трубе и проверьте все соединения на наличие утечек.

**ПРИМЕЧАНИЕ:** Чтобы использовать систему водоснабжения DualSelect™ в замкнутом виде, необходимо полностью отключить водопровод.

### 7.5 Настройка системы

- Система должна быть размещена на устойчивой поверхности либо установлена сверху на ультразвуковой аппарат Cavitron SPS™ для удаления зубного камня или на комбинированную систему Cavitron JET SPS.
- Убедитесь, что аппарат для удаления зубного камня выключен.
- Закройте щиток и переведите переключатель в положение "Open • H<sub>2</sub>O".
- Подключите линии подачи воздуха и воды стоматологического кабинета к соответствующим входам распределительной системы DualSelect™ для воздуха и воды. (См. примечание)
- Подключите линии подачи воздуха (если таковые имеются) и воды ультразвукового аппарата для удаления зубного камня/ JET к выходным линиям воздуха и воды системы DualSelect™.

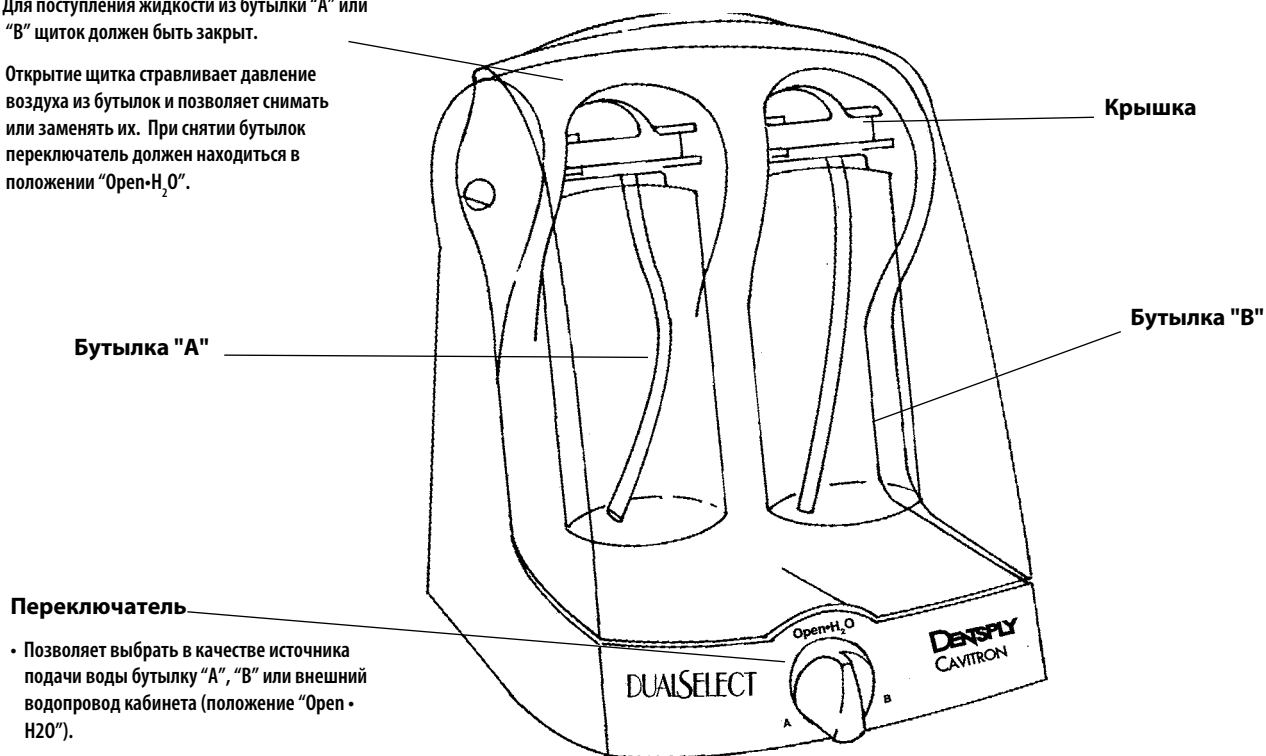
**ПРИМЕЧАНИЕ:** Чтобы использовать систему водоснабжения DualSelect™

# Раздел 8: Описание компонентов системы DualSelect™

## 8.1 Органы управления системой - передняя панель

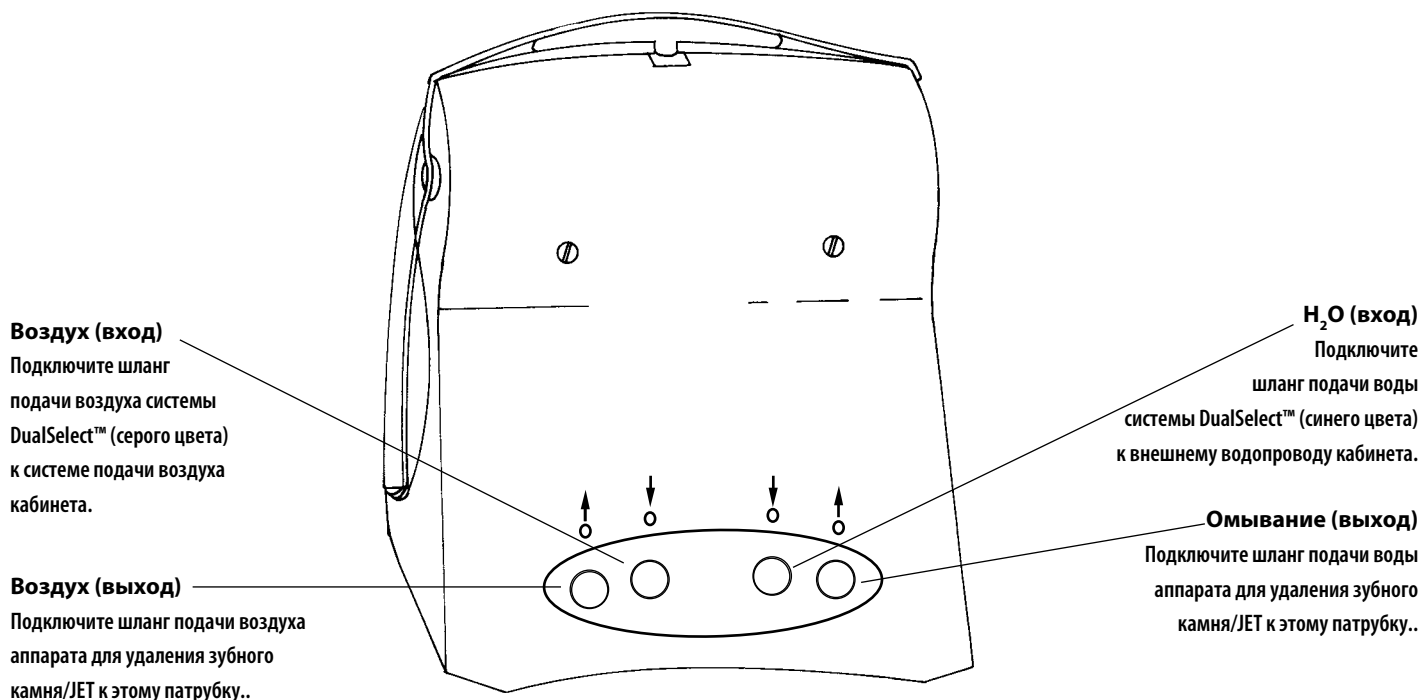
### Щиток (закрытое положение)

- Для поступления жидкости из бутылки "А" или "В" щиток должен быть закрыт.
- Открытие щитка стравливает давление воздуха из бутылок и позволяет снимать или заменять их. При снятии бутылок переключатель должен находиться в положении "Open-H<sub>2</sub>O".



- Позволяет выбрать в качестве источника подачи воды бутылку "А", "В" или внешний водопровод кабинета (положение "Open - H<sub>2</sub>O").

## 8.2 Подключения - задняя панель



**ПРИМЕЧАНИЕ:** Чтобы использовать систему водоснабжения DualSelect™ в замкнутом виде, необходимо полностью отключить водопровод.

## Раздел 9: Принадлежности

### 9.1 Перечень принадлежностей\*

1. Комплект принадлежностей включает в себя 2 бутылки в сборке и 2 крышки для хранения.
2. Бутылка для дезинфицирующего раствора в сборке и крышка для хранения.
3. Щиток.

\*Чтобы получить более подробную информацию, обратитесь к местному дистрибьютору компании DENTSPLY или, если вы проживаете в США, позвоните в Отдел обслуживания клиентов DENTSPLY по тел. 1-800-989-8825 или 717-767-8500.

### 9.2 Лекарственные препараты

С распределительной системой DualSelect™ совместимы следующие лекарственные препараты.

- Хлоргексидин глюконат 0,12%
- Цетилпиридиний хлорид (Сераcol®)
- Эфирные масла (Listerine®)
- Перекись водорода, 3% Фармакопия США
- Повидон-йод, 10%-ный раствор
- Физиологический раствор
- Экстракт сангвинарии (Viadent®)
- Чистая вода, Фармакопия США (для промывки и техобслуживания системы).

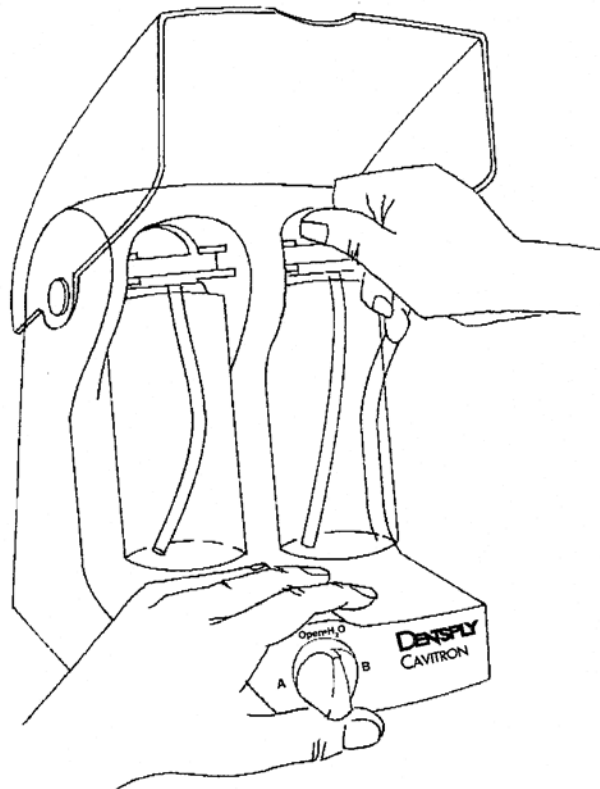
**ПРИМЕЧАНИЕ:** Длительное использование повидон-йода без достаточной промывки водой после применения сократит срок службы распределительной системы DualSelect™.

## Раздел 10: Эксплуатация

### 10.1 Наполнение бутылок

- Установите переключатель в положение "Open • H<sub>2</sub>O". Осторожно и медленно поднимите щиток в полностью открытое положение.
- Открытие щитка сбросит давление в бутылках. Звук выходящего сжатого воздуха - это нормально.
- Снимите бутылки как показано на рисунке. Одной рукой потяните за рукоятку на крышке, другой - придерживайте основание распределительной системы DualSelect™. Бутылку необходимо вынимать параллельно основанию системы.
- Отвинтите крышку снимите ее и положите верхней частью вниз на чистую поверхность во избежание загрязнения отводящей трубки.
- Наполните бутылку до желаемого уровня и закройте ее крышкой.
- Плотно затяните крышку во избежание утечки воздуха.
- Вставьте бутылку, установив крышку между направляющими и вставив ее в муфты. Муфты закреплены нежестко, что позволяет легко регулировать положение бутылки во время установки. Оба отверстия в крышке должны совпасть с муфтами с наружной резьбой.
- Закройте щиток.

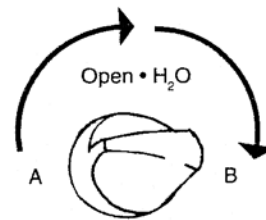
Система готова к работе.



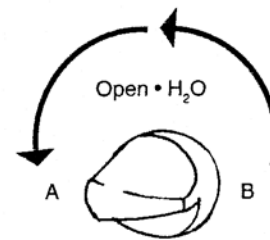
## 10.2 Работа с распределителем

- Включите аппарат для удаления зубного камня/JET. Подача жидкости из распределительной системы DualSelect™ контролируется регулятором подачи воды на аппарате для удаления зубного камня, системах Cavitron® JET или PROPHY-JET®.
- Переведите переключатель в требуемое положение: бутылка "А", "Open • H<sub>2</sub>O" или бутылка "В". Переключатель поворачивается только на 180° через положение "Open • H<sub>2</sub>O" от "А" до "В" или от "В" до "А". (как показано справа)
- Теперь аппарат для удаления зубного камня/JET, подключенный к системе DualSelect™, может получать жидкость из выбранного источника.
- После переключения между бутылками "А" и "В" жидкость из нового выбранного источника начинает поступать из наконечника через 30 сек.
- Чтобы переключиться на водопровод кабинета, переведите переключатель в положение "Open • H<sub>2</sub>O".

**ПРИМЕЧАНИЕ:** В случае использовании системы в замкнутом виде вода при нахождении переключателя в положении "Open • H<sub>2</sub>O" не поступает, поскольку внешний водопровод к системе DualSelect™ не подключен. Подача жидкости будет происходить только в положении "А" или



от "А" до "В"



от "В" до "А"

## Раздел 11: Уход за системой

### 11.1 Рекомендуемое техобслуживание

#### В начале рабочего дня

1. Поместите бутылку с питьевой водой в положение "А".
2. Закройте щиток и переведите переключатель в положение "А".
3. Включите ультразвуковой аппарат для удаления зубного камня/JET на максимальную подачу воды не менее чем на одну минуту согласно указаниям Центров контроля и профилактики заболеваний (CDC).
4. Установите переключатель в положение "Open • H<sub>2</sub>O".
5. Поднимите щиток, выньте бутылку из положения "А" и поместите ее в положение "В". Повторите шаги 2 и 3 в положении "В".
6. Откройте щиток и выньте бутылку из положения "В".
7. Поместите бутылку с питьевой водой/лекарственным препаратом в одно или оба положения, закройте щиток и переведите переключатель в соответствующее положение.
8. Установите только что простерилизованную вставку/форсунку в наконечник.
9. Устройство готово к работе.

#### В промежутках между приемами пациентов

1. Снимите вставку или пескоструйную форсунку аппарата для удаления зубного камня/JET с наконечника, промойте и простерилизуйте.
2. Поместите бутылку с питьевой водой в положение "А". Закройте щиток и переведите переключатель в положение "А".
3. Включите ультразвуковой аппарат для удаления зубного камня/JET на максимальную подачу воды не менее чем на 30 секунд согласно указаниям Центров контроля и профилактики заболеваний (CDC), чтобы вымыть остатки всех жидкостей, подававшихся в систему до этого.

4. Установите переключатель в положение "Open•H<sub>2</sub>O" и откройте щиток. Выньте бутылку с питьевой водой из положения "А" и поместите ее в положение "В." Повторите шаги 2 и 3 в положении "В." Переведите переключатель в положение "Open•H<sub>2</sub>O" откройте щиток и выньте бутылку с питьевой водой из положения "В".
5. Очистите и продезинфицируйте все поверхности распределительной системы DualSelect™ и насадок с помощью одобренного дезинфицирующего раствора, предназначенного для дезинфекции без погружения, тщательно соблюдая инструкции производителя дезинфицирующего раствора. Для очистки системы обильно смочите раствором чистое полотенце и протрите поверхность всего устройства. Использованное полотенце следует выбросить. Для дезинфекции системы обильно смочите раствором чистое полотенце и протрите поверхность всего устройства. Дайте дезинфицирующему раствору высохнуть естественным путем.
6. Поместите бутылку с питьевой водой/лекарственным препаратом в одно или оба положения, закройте щиток и переведите переключатель в соответствующее положение.
7. Установите только что простерилизованную вставку/форсунку в наконечник.
8. Устройство готово к работе.

**ПРИМЕЧАНИЕ:** Предпочтительно использовать дезинфицирующие растворы на водной основе. Некоторые растворы на основе спирта могут быть вредны или привести к обесцвечиванию пластика.

#### В конце рабочего дня

1. Снимите вставку или пескоструйную форсунку аппарата для удаления зубного камня/JET с наконечника, промойте и простерилизуйте.

## Раздел 11: Уход за системой (продолж.)

2. Поместите бутылку с питьевой водой в положение "А". Закройте щиток и переведите переключатель в положение "А".
3. Включите ультразвуковой аппарат для удаления зубного камня/JET на максимальную подачу воды не менее чем на 30 секунд, чтобы вымыть остатки всех жидкостей, подававшихся в систему до этого.
4. Установите переключатель в положение "Open-H<sub>2</sub>O" и откройте щиток. Выньте бутылку с питьевой водой из положения "А" и поместите ее в положение "В". Повторите шаги 2 и 3 в положении "В". Установите переключатель в положение "Open-H<sub>2</sub>O", откройте щиток и выньте бутылку с питьевой водой.
5. Поместите пустую бутылку в положение "А" и закройте щиток. Установите переключатель в положение "А" и включите аппарат для удаления зубного камня/JET на максимальную подачу воды на 30 секунд, чтобы продуть шланг. Установите переключатель в положение "Open-H<sub>2</sub>O" и откройте щиток.
6. Выньте пустую бутылку из положения "А" и поместите ее в положение "В". Повторите шаг 5 в положении "В". Установите переключатель в положение "Open-H<sub>2</sub>O", откройте щиток и выньте пустую бутылку из положения "В". По окончании цикла шланг должен быть относительно сухим.
7. Очистите и продезинфицируйте все поверхности распределительной системы DualSelect™ и насадок с помощью одобренного дезинфицирующего раствора, предназначенного для дезинфекции без погружения, тщательно соблюдая инструкции производителя дезинфицирующего раствора. Для очистки системы обильно смочите раствором чистое полотенце и протрите поверхность всего устройства. Использованное полотенце следует выбросить. Для дезинфекции системы обильно смочите раствором чистое полотенце и протрите поверхность всего устройства. Дайте дезинфицирующему раствору высохнуть естественным путем.

### В конце рабочей недели

1. Снимите вставку или пескоструйную форсунку аппарата для удаления зубного камня/JET с наконечника, промойте и простерилизуйте.
2. Поместите бутылку с питьевой водой в положение "А". Закройте щиток и переведите переключатель в положение "А".
3. Включите ультразвуковой аппарат для удаления зубного камня/JET на максимальную подачу воды не менее чем на 30 секунд, чтобы вымыть остатки всех жидкостей, подававшихся в систему до этого. Установите переключатель в положение "Open-H".
4. Выньте бутылку с водой из положения "А" и поместите ее в положение "В". Повторите шаги 2 и 3 в положении "В". Выньте бутылку с питьевой водой из положения "В".
5. Поместите пустую бутылку в положение "А", закройте щиток и установите переключатель в положение "А". Включите ультразвуковой аппарат для удаления зубного камня/JET на максимальную подачу воды на 30 секунд, чтобы продуть шланг. Установите переключатель в положение "Open-H<sub>2</sub>O" и откройте щиток.
6. Выньте пустую бутылку из положения "А" и поместите ее в положение "В". Повторите шаг 5 в положении "В". Выньте пустую бутылку из положения "В".
7. Приготовьте раствор гипохлорита (NaOCl) в соотношении 1:10, налив 5,25%-ный гипохлорит натрия до обозначенного уровня в бутылку для дезинфицирующего раствора. Наполните бутылку для дезинфицирующего раствора

до верха питьевой водой. Поместите бутылку с дезинфицирующим раствором в положение "А". Закройте щиток и переведите переключатель в положение "А". Включите ультразвуковой аппарат для удаления зубного камня/JET на максимальную подачу воды не менее чем на 30 секунд, пока раствор не начнет поступать из наконечника.

8. Установите переключатель в положение "Open-H<sub>2</sub>O" и откройте щиток. Выньте бутылку с дезинфицирующим раствором из положения "А" и поместите ее в положение "В". Переведите переключатель в положение "В" и включите систему не менее чем на 10 секунд. Установите переключатель в положение "Open-H<sub>2</sub>O", откройте щиток и выньте бутылку с дезинфицирующим раствором. *Не включайте систему в течение 10, но не более 30 минут, чтобы раствор гипохлорита натрия успел распределиться по шлангам.* Как вариант, ПОМЕСТИТЕ ТАБЛИЧКУ О ТОМ, ЧТО СИСТЕМА ДЕЗИНФИЦИРУЕТСЯ СИЛЬНОДЕЙСТВУЮЩИМ ДЕЗИНФИЦИРУЮЩИМ СРЕДСТВОМ И НЕ ДОЛЖНА ЭКСПЛУАТИРОВАТЬСЯ.
9. Наполните бутылку питьевой водой, поместите ее в положение "А" и закройте щиток. Установите переключатель в положение "А" и включите аппарат для удаления зубного камня/JET на максимальную подачу воды не менее чем на 30 секунд или до тех пор, пока не исчезнет запах гипохлорита натрия. ПЕРЕЖДЕ ЧЕМ ПРОДОЛЖИТЬ ИСПОЛЬЗОВАНИЕ СИСТЕМЫ ДЛЯ ЛЕЧЕНИЯ ПАЦИЕНТОВ, НЕОБХОДИМО ПРОМЫТЬ ЕЕ ОТ ВСЕХ ХИМИЧЕСКИХ ВЕЩЕСТВ. Установите переключатель в положение "Open-H<sub>2</sub>O" и откройте щиток. Выньте бутылку из положения "А" и поместите ее в положение "В". Закройте щиток и переведите переключатель в положение "В". Включите ультразвуковой аппарат для удаления зубного камня/JET на максимальную подачу воды не менее чем на 30 секунд, пока вода не начнет поступать из наконечника или пока не исчезнет запах гипохлорита натрия. От системы не должно исходить никакого остаточного запаха.
10. Установите переключатель в положение "Open-H<sub>2</sub>O", откройте щиток и выньте бутылку с питьевой водой из положения "В". Поместите пустую бутылку в положение "А", закройте щиток и установите переключатель в положение "А". Включите ультразвуковой аппарат для удаления зубного камня/JET на максимальную подачу воды не менее чем на 30 секунд, чтобы насухо продуть шланг. Установите переключатель в положение "Open-H<sub>2</sub>O", выньте пустую бутылку из положения "А" и поместите ее в положение "В". Включите ультразвуковой аппарат для удаления зубного камня/JET на максимальную подачу воды не менее чем на 30 секунд, чтобы насухо продуть шланг. По окончании цикла шланг должен быть относительно сухим.

**ПРИМЕЧАНИЕ:** еженедельно удаляйте из бутылок все лекарственные средства/дезинфицирующие растворы. Следуйте процедурам чистки и стерилизации, описанным в брошюре "Порядок профилактики инфекций в системе Cavitron" (Форма № 81158). БУТЫЛКУ ДЛЯ ДЕЗИНФИЦИРУЮЩЕГО РАСТВОРА СЛЕДУЕТ ПРИМЕНЯТЬ ИСКЛЮЧИТЕЛЬНО ДЛЯ ДЕЗИНФЕКЦИИ.

## Раздел 11.2 Текущее техобслуживание

**ВНИМАНИЕ!** Уплотнительные кольца подвержены износу и требуют регулярной замены. Для замены обратитесь к местному дилеру или в компанию Cavitron Care®, деталь № 628051001.

## Раздел 12: Поиск и устранение неисправностей

К обслуживанию и ремонту распределительной системы DualSelect™ допускается только персонал компании DENTSPLY [см. раздел 12.2. "Информация о службе технической поддержки"], но во избежание излишних звонков в сервисный центр следует соблюдать следующие основные процедуры по поиску и устранению неисправностей.

### 12.1 Инструкции по поиску и устранению неисправностей

Если нужная жидкость не выходит из пустого наконечника через 60 секунд после включения:

1. Проверьте все подключения на задней панели распределительной системы DualSelect™ и убедитесь, что все шланги правильно установлены.
2. Убедитесь, что переключатель находится в соответствующем положении.
3. Убедитесь, что выбранная бутылка не пуста.
4. Если используется водопровод кабинета, убедитесь, что запорный вентиль открыт.

5. Убедитесь, что крышка бутылки плотно закручена.
6. Убедитесь, что уровень жидкости выше основания внутренней трубки

### 12.2 Информация о службе технической поддержки

В данном устройстве нет обслуживаемых деталей. Обслуживание должно проводиться в квалифицированном сервисном центре. Чтобы получить техническую поддержку и помощь в ремонте на территории США, звоните в компанию Cavitron Care<sup>SM</sup> по тел. 1-800-989-8826 с понедельника по пятницу с 8:00 до 17:00 (по времени Восточного часового пояса). Для получения обслуживания в других регионах обратитесь к местному представителю DENTSPLY.

## Раздел 13: Технические характеристики изделия

Давление в водопроводе стоматологического кабинета	25 –60 фунтов/кв. дюйм	(172 – 414 кПа)
Давление в линии подачи воздуха стоматологического кабинета	65 –100 фунтов/кв. дюйм	(448 – 690 кПа)
Давление на выходе омывания	30 фунтов/кв. дюйм	(207 кПа)
Давление воздуха на выходе	65 –100 фунтов/кв. дюйм	(448 – 690 кПа)
Емкость бутылки	480 мл	
Интенсивность потока	15 – 55 мл/мин.	
Масса	4,2 фунта	(1,9 кг)
Размеры	Высота:	10 ¼ дюйма (26,0 см)
	Ширина:	8 дюймов (20,3 см)
	Длина:	9 дюймов (22,9 см)
	Шланг подачи воздуха:	96 дюймов (2,4 м)
Шланг подачи воды:	96 дюймов (2,4 м)	
Условия эксплуатации		
Температура:	от 15 до 40 градусов Цельсия	
Относительная влажность:	30% - 75% (без конденсации)	
Условия хранения и транспортировки		
Относительная влажность:	10% - 95% (без конденсации)	

**Worldwide Service Centers**  
**Centres internationaux d'assistance technique**  
**Centros internacionales de servicio técnico**  
**Weltweite Service-Center**  
**Centri di assistenza nel mondo**  
**Всемирные сервисные центры**

**United States of America**

DENTSPLY Professional  
Technical Service and Repair Department  
1301 Smile Way  
York, PA 17404-1785  
Phone: (800) 989-8826 or (717) 767-8502

**Deutschland**

DENTSPLY DeTrey GmbH  
De-Trey-Strasse 1  
78467 Konstanz  
Germany  
Phone: 7531 583 0

**France**

DENTSPLY DeTrey  
17 Michael FARADAY  
78380 Montigny Le Bretonneux  
France  
Phone: (1) 30 14 77 77

**Australia**

DENTSPLY (Australia) Pty. Ltd  
11-21 Gilby Road  
Mount Waverley, Victoria 3149  
Australia  
Phone: (61) 3-9538-8280

**United Kingdom**

DENTSPLY Ltd.  
Building 1  
Aviator Park  
Station Road  
Addlestone  
Surrey  
KT1 52PG  
United Kingdom  
Phone: (0) 800 072 3313

**Italia**

DENTSPLY DeTrey Italia s.r.l.  
Via A. Cavaglieri, 26  
I-00173 Roma  
Italia  
Phone: (06) 723 3626

**Canada**

DENTSPLY Canada  
161 Vinyl Court  
Woodbridge, Ontario  
L4L 4A3 Canada  
Phone: (905) 851-6060

**DENTSPLY**  
**PROFESSIONAL**

Printed in U.S.A. Form #80518 Rev. 9 (05/12)



Manufactured by:  
DENTSPLY Professional  
DENTSPLY International  
1301 Smile Way  
York, PA 17404-1785 USA



DENTSPLY DeTrey GmbH  
De-Trey-Str. 1  
78467 Konstanz  
Germany

Imported and  
Distributed by:  
DENTSPLY Canada  
Woodbridge, Ontario  
L4L 4A3