

Instructions for Use

Translation of the original operating manual



CE
0297

PEOPLE HAVE PRIORITY



Technical handpiece 945

Contents

Symbols	4
1. Introduction	5
2. Safety notes	7
3. Product description	8
Technical handpiece	8
4. Operation	9
Assembly/Removal	9
Rotary instruments	10
Inserting the rotary instrument	11
Test run	12
Removing the rotary instrument.....	13

5. Maintenance	14
6. Technical Data	15
Explanation of warranty terms.....	16
EC Declaration of Conformity / Manufacturer's Declaration.....	17
Authorized W&H Service Partners	18

Symbols



WARNING!
(risk of injury)



ATTENTION!
(to prevent
damage occurring)



General explanations,
without risk to
persons or objects

1. Introduction

Customer satisfaction has absolute priority in the W&H quality policy. This medical device has been developed, manufactured and subjected to final inspection according to legal regulations, quality and industry standards.

For your safety and the safety of your team

These instructions explain to you how to use your W&H product. However, we must also warn against possible hazardous situations. Your safety and the safety of your team are of paramount importance to us.

Intended use

For light technical work on dental materials. Not intended for use on patients. (Not sterilizable)



The technical handpiece is not designed as a medical device!
It is not permitted for use on patients!

Skilled application

The technical handpiece is intended only for skilled application in the dental or medical field according to its purpose of use in compliance with the valid health and safety at work regulations, the valid accident prevention regulations as well as in compliance with these instructions for use. Non-compliance with these instructions or use of accessories and spare parts that are not approved by W&H invalidate all claims under warranty and any other claims.

Service

If you observe problems, please contact an authorized W&H service partner immediately (see page 18). Repair and maintenance work must only be carried out by an authorized W&H service partner.

2. Safety notes



The technical handpiece is delivered sealed in PE film.



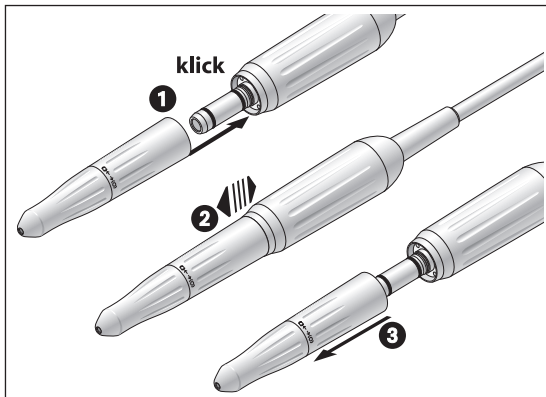
- > Always ensure that you have the correct operating conditions.
- > Check the technical handpiece for damage and loose parts prior to each use.
- > Only fit the technical handpiece when the motor is at a complete standstill.
- > Comply with the necessary protective measures such as the wearing of safety goggles, use of protective screens, etc.

3. Product description

Technical handpiece



- ① Handpiece tip with twist chuck
- ② Sheath
- ③ Symbols
[0] = Twist chuck open
[0] = Twist chuck locked



Do not assemble or remove
during operation!



- ➊ Push the technical handpiece onto the motor until it engages audibly.
- ➋ Check the connection to the motor is secure.
- ➌ Remove the technical handpiece by pulling in an axial direction or – depending on the system – by pressing the unlocking button on the micromotor.



Rotary instruments

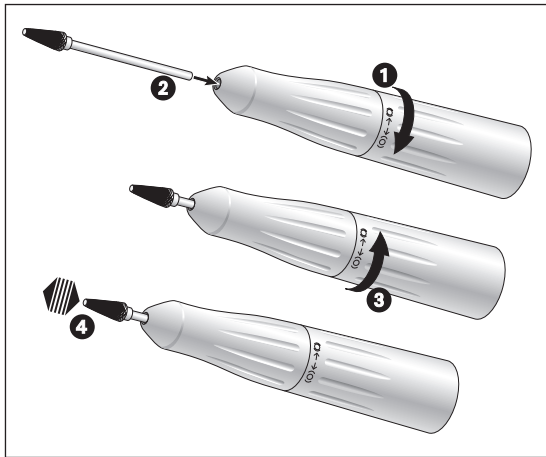
> Only use rotary instruments which are in perfect condition and which have shanks that meet the requirements of the DIN EN ISO 1797 standard. Observe the manufacturer's recommendations.



> Insert the rotary instrument only when the technical handpiece is stationary.

> Never touch rotary instruments which are still rotating.

> Do not activate the twist chuck on the technical handpiece during operation or slowing down. This leads to detachment of the rotary instrument and damage to the twist chuck (risk of injury).

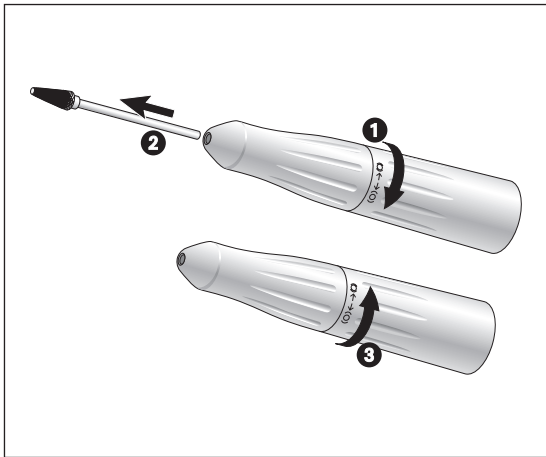


Inserting the rotary instrument

- ❶ Turn the sheath in the (O) direction until it engages.
- ❷ Insert the rotary instrument until back stop.
- ❸ Turn the sheath in the (O) direction until it engages.
- ❹ Check that the rotary instrument is held securely by applying axial tension.

Test run

- > Insert the rotary instrument.
- > Start the technical handpiece.
- > If you observe problems (e.g. vibrations, unusual noise, overheating), **stop the technical handpiece immediately** and contact an authorized W&H service partner (see page 18).



Removing the rotary instrument

- 1 Turn the sheath in direction (0) until it engages.
- 2 Remove the rotary instrument.
- 3 Turn the sheath in direction (0) until it engages.

5. Maintenance



External cleaning, e.g. wiping with a damp cloth.



The technical handpiece is not sterilizable.

The technical handpiece must not be oiled (it is already lubricated for life).

6. Technical Data

Technical handpiece	945
Transmission ratio	1:1
Motor coupling acc. to standard	ISO 3964
Instruments acc. to standard EN ISO 1797:2017 (∅ mm)	2.35
Length approved by W&H (mm)	45*
Chucking	Handpiece bur shank
min. chucking length	until back stop*
max. motor speed (U/min)	40,000

* If the rotary instrument is not inserted up to the back stop, the minimum chuck length must be maintained. In this case, or when using rotary instruments longer than 45mm, the user must ensure by correct selection of the operating conditions that there is no danger to the user or third parties.

Explanation of warranty terms

This W&H product has been manufactured with great care by highly qualified specialists. A wide variety of tests and controls guarantee faultless operation. Please note that claims under warranty can only be validated when all the directions in the Instructions for use have been followed.

As manufacturer, W&H is liable for material or manufacturing defects within a warranty period of 12 months from the date of purchase.

We accept no responsibility for damage caused by incorrect handling or by repairs carried out by third parties not authorized to do so by W&H!

Claims under warranty accompanied by proof of purchase, must be sent to the vendor or to an authorized W&H service partner. The provision of service under warranty extends neither the warranty period nor any other guarantee period.

12 Monate Garantie

EC Declaration of Conformity / Manufacturer's Declaration

	
EC Declaration of Conformity / Manufacturer's Declaration	
WU&H DENTALWERK SCHNEIDER GmbH Ignaz-Graessl-Strasse 53 A-21111 Bismarck / Austria	
I hereby declare that the following product:	
Name:	Technical description
Type:	M&S
Ref. No.:	14134000
Year of manufacture:	19
conforms to the following applicable regulations:	
Machinery Directive 2006/42/EC	
During design and manufacture of the machine, the following harmonized standards were applied:	
EN ISO 12100:2016, ISO 14487:2017, ISO 9001:2015, EN ISO 9007:2015, ISO 9004:2016, EN ISO 17927:2017, EN ISO 780:2015	
Authorized for the compilation of technical documents: Johann Farnberger, Ignaz-Graessl-Strasse 53, A-21111 Bismarck	
Bismarck, 17.01.2019	
Johann Farnberger	
Product responsibility/Project Sponsor	
WU&H 01	1/1

Authorized W&H Service Partners

Find you nearest W&H service partner at <http://wh.com>

Simply go to the menu option »Service« for full details. Alternatively please contact:

W&H (UK) Limited, Unit 6, Stroud Wood Business Centre, Park Street, St Albans, AL2 2NJ Hertfordshire
t + 44 1727874990, f + 44 1727872254, E-Mail: technical.uk@wh.com

W&H IMPEX INC., 6490 Hawthorne Drive, Windsor, Ontario, N8T 1J9, Canada
t + 1 519 9446739, f + 1 519 9746121, E-Mail: service.ca@wh.com

W&H IMPEX INC., 33091 W Jefferson Ave., Brownstown, MI-48173, USA
t + 1 800 265 6277, +1 519 944 6739, f +1 519 974 6121, E-Mail: service.us@wh.com

A-DEC AUSTRALIA CO. INC., Unit 8, 5-9 Ricketty Street, Mascot NWS 2020, Australia
t + 61 2 83324000, f + 61 2 83324099, E-Mail: a-dec@a-dec.com.au

Manufacturer

W&H Dentalwerk Bürmoos GmbH

Ignaz-Glaser-Straße 53, 5111 Bürmoos, Austria

**t +43 6274 6236-0,
office@wh.com**

**f +43 6274 6236-55
wh.com**

**Form-Nr. 50671 AEN
Rev. 003 / 17.04.2019
Subject to alterations**